

HARVARD[®]

OWNER'S MANUAL

HOME RECREATION ROOM SERVING BAR

MODEL NO. M01620F

1. READ THIS MANUAL CAREFULLY BEFORE STARTING ASSEMBLY.
Read each step completely before beginning each step.
2. SOME SMALLER PARTS MAY BE SHIPPED INSIDE LARGER PARTS. CHECK INSIDE ALL PARTS AND CARTONS BEFORE ASSEMBLING OR ORDERING PARTS.
3. USE THE HARDWARE IDENTIFIER TO IDENTIFY AND SORT ALL FASTENERS.

PLEASE DO NOT RETURN PRODUCT TO THE STORE!

Contact Escalade[®] Sports customer service department at:

Phone: 1-866-556-2757 Toll Free !

Fax: 1-866-873-3532 Toll Free !

E-mail: customerservice@escaladesports.com

Mailing Address (Correspondence Only):

Escalade[®] Sports, PO Box 889, Evansville, IN 47706

Please visit our World Wide Web site at:

www.escaladesports.com

On-Line Trouble Shooting Frequently Asked Questions

Technical Assistance On-Line Parts Requests

Additional Escalade[®] Sports Product Information

ESCALADE[®]
SPORTS

©2007 Escalade[®]Sports

Escalade[®] Sports products may be manufactured and/or licensed under the following patents.

D446275

Additional patents may be pending. One or more of the listed patents and/or pending patents may cover specific product.

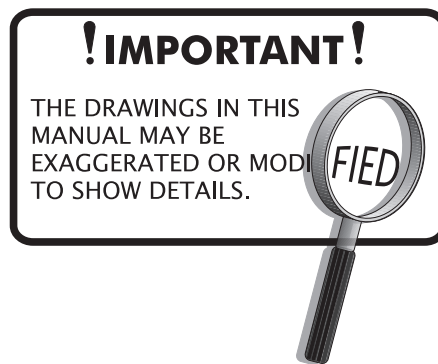


CAUTION



CHOKING HAZARD! THIS PRODUCT CONTAINS SMALL PARTS. NOT INTENDED FOR CHILDREN UNDER 3 YEARS OLD! KEEP OUT OF THE REACH OF CHILDREN!

To ensure safety, do not attempt to assemble system without following instructions carefully. Proper and complete assembly, use, and supervision is essential for proper operation and to reduce the risk of accident or injury. A high probability of serious injury exists if this system is not installed, maintained, and operated properly.



TOOLS NEEDED (NOT INCLUDED)

Phillips Screwdriver
Furniture Polish and Cloth

An electric screwdriver is helpful in assembly. However, you must set at low torque and use extreme caution with an electric screwdriver because you could overtighten the hardware and strip the screws.

ASSEMBLY TIPS

Make sure you understand the following tips before you begin to assemble your product.

1. When installing parts that have more than one bolt, start ALL the bolts in that part by hand before tightening anything.
2. Some drawings or images in this manual may not look exactly like your product. Please read and understand the text before starting each step.

CARE AND USE OF YOUR BAR

1. Use spray furniture polish to clean all surfaces of your table.
2. This product is intended for INDOOR use only.
3. DO NOT sit, climb or lean on the bar.
4. DO NOT drag the bar when moving it.

90 DAY LIMITED WARRANTY

This consumer warranty extends to the original consumer purchase of any ESCALADE® SPORTS Product (hereinafter referred as the "Product").

WARRANTY DURATION: This Product is warranted to the original consumer purchaser of a period of 90 days from the original purchase.

WARRANTY COVERAGE: ESCALADE SPORTS warrants to the original Consumer Purchaser that any Product of its manufacture is free from defects in material and workmanship when used for the intended purpose under normal use and conditions. THIS WARRANTY IS VOID IF THE PRODUCT HAS BEEN DAMAGED BY ACCIDENT, UNREASONABLE USE, NEGLIGENCE, IMPROPER SERVICE, FAILURE TO FOLLOW INSTRUCTIONS PROVIDED WITH THE PRODUCT OR OTHER CAUSES NOT ARISING OUT OF DEFECTS IN MATERIAL AND WORKMANSHIP.

WARRANTY PERFORMANCE: During the above 90 day warranty period, ESCALADE SPORTS shall repair or replace with a comparable model, and/or Product, or component thereof, any product which may prove defective under normal use and proper care, and which our examination shall disclose to our satisfaction to be thus defective, please contact our Warranty Dept.

1-866-556-2757 / Warranty Dept.

Or Write us at:

Escalade® Sports, Inc. - P.O. Box 889, Evansville, IN 47706 - Attn: Warranty Dept.

Or E-mail us at:

arcadegames@escaladesports.com

Other than shipping requirements no charge will be made for such repair or replacement of in-warranty Products. ESCALADE® SPORTS strongly recommends that the Product is insured for value prior to mailing.

WARRANTY DISCLAIMERS: ANY IMPLIED WARRANTIES ARISING OUT OF THIS SALE, INCLUDING BUT NOT LIMITED TO THE IMPLIED WARRANTIES OF MERCHANTABILITY AND FITNESS FOR A PARTICULAR PURPOSE, ARE LIMITED IN DURATION TO THE ABOVE WARRANTY PERIOD. ESCALADE® SPORTS SHALL NOT BE LIABLE FOR LOSS OF USE OF THE PRODUCT OR OTHER CONSEQUENTIAL OR INCIDENTAL COSTS, EXPENSES OR DAMAGES INCURRED BY THE CONSUMER OF ANY OTHER USE.

Some states do not allow the exclusion or limitation of implied warranties or consequential or incidental damages, so the above limitations or exclusions may not apply to you.

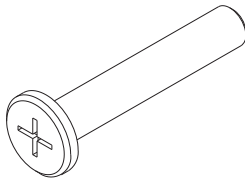
LEGAL REMEDIES: This warranty gives you specific legal rights and you may also have other rights which may vary from state to state.

HARDWARE IDENTIFIER

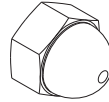
(Not To Scale)



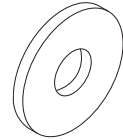
H1_Wood Screw



H3_Bolt



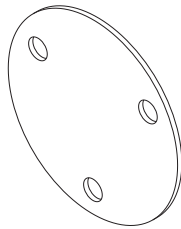
H4_Acorn Nut



H5_Flat Washer



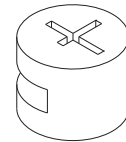
H6_Lock Washer



H7_Foot Rest Support Washer



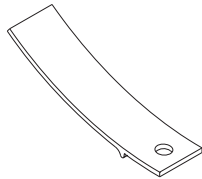
H8_Cambolt



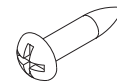
H9_Camlock



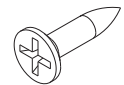
H10_Wood Dowel



H11_Plastic Drawer Stop



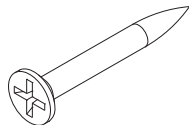
H12_Wood Screw



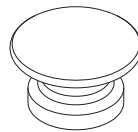
H13_Wood Screw



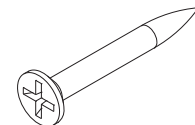
H14_Set Screw



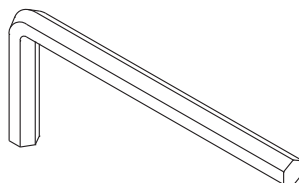
H16_Wood Screw



H17_Drawer Knob



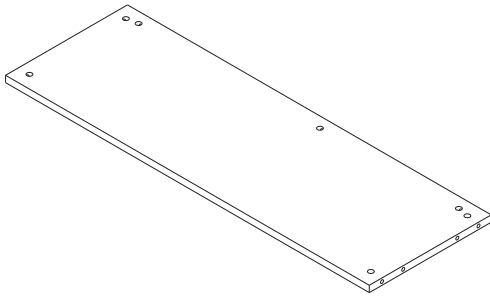
H18_Wood Screw



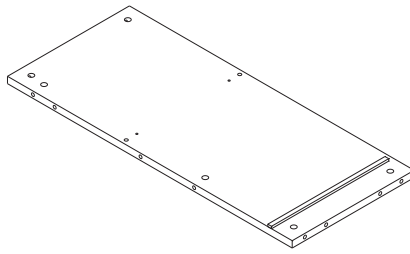
T1_Allen Wrench

PARTS IDENTIFIER

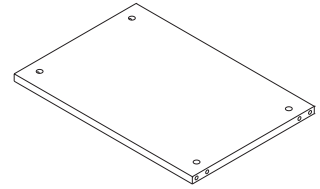
(Not To Scale)



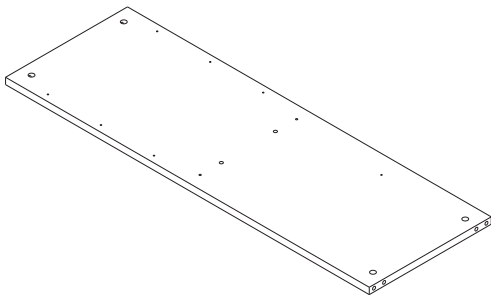
P1_Base



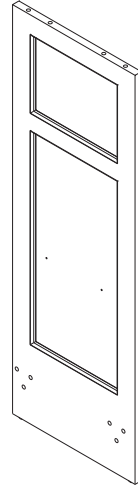
P2_MiddlePanel



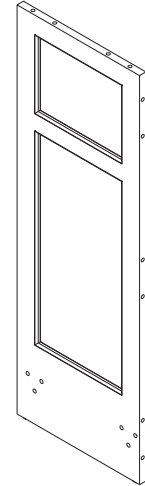
P3_Shelf



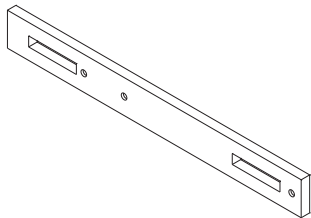
P4_Base



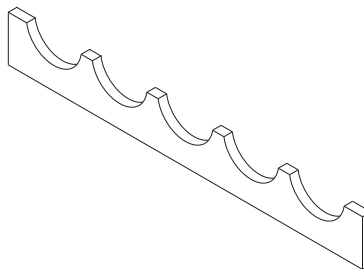
P5_SidePanel_Left



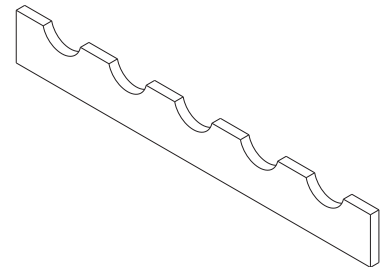
P6_SidePanel_RT



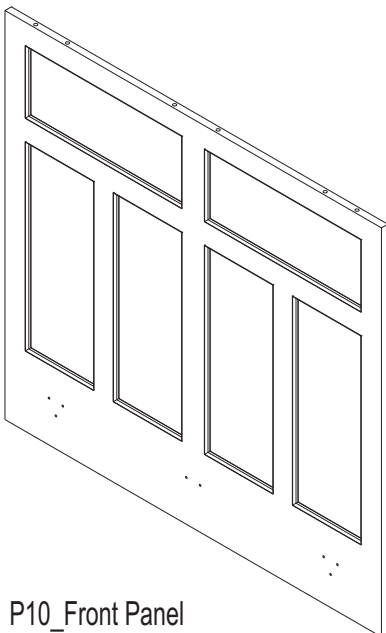
P7_Wine Rack Side



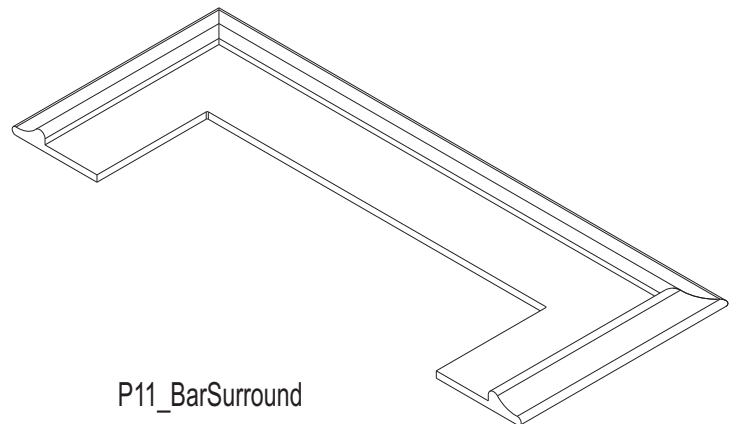
P8_Wine Rack Wide Cutout



P9_Wine Rack Narrow Cutout



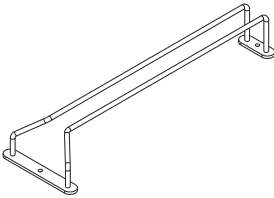
P10_Front Panel



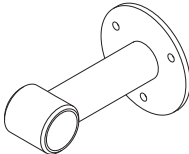
P11_BarSurround

PARTS IDENTIFIER

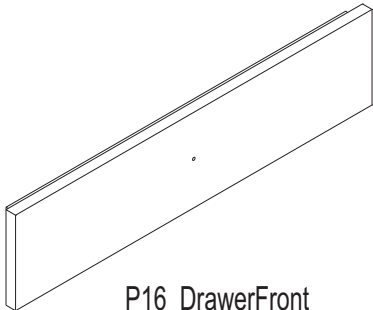
(Not To Scale)



P12_Wine Glass Rack



P13_Foot Rest Support

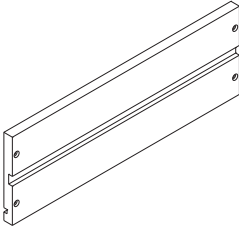


P16_DrawerFront

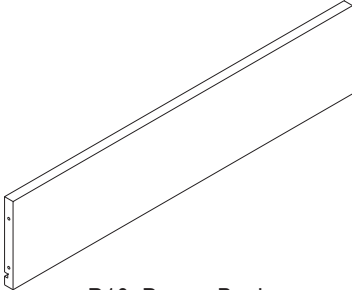


P14_Foot Rest Bar Short

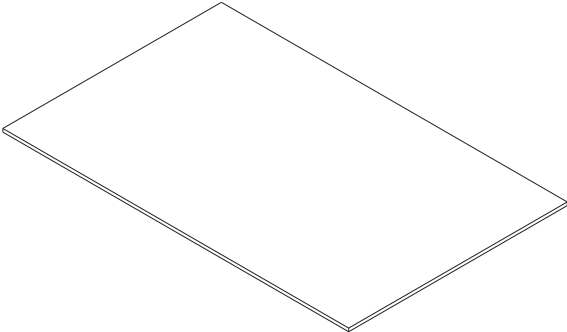
P15_Foot Rest Bar Long



P17_DrawerSide



P18_DrawerBack



P19_DrawerBottom

Find a clean level place to build your Recreation Room Bar. Two adults are recommended to assemble this furniture.

Step 1

To build the drawer, find the following:

- 1-Drawer Front - P16
- 2-Drawer Sides - P17
- 1-Drawer Back - P18
- 1-Drawer Bottom - P19
- 8-M3.5x30mm screws-H16
- 1-Drawer Knob -H17
- 1-M3.5x38mm screw-H18

Be careful not to over tighten screws. Note predrilled holes for ease of assembly. Assemble Drawer Side **P17** to Drawer Back **P18** and Drawer Front **P16** using Screws **H16**. Next, carefully slide Drawer Bottom **P19** into front, back, and side grooves of this assembly. Attach Side **P17** with Screws **H16** to complete drawer. To attach Drawer Knob **H17**, use Screw **H18**.

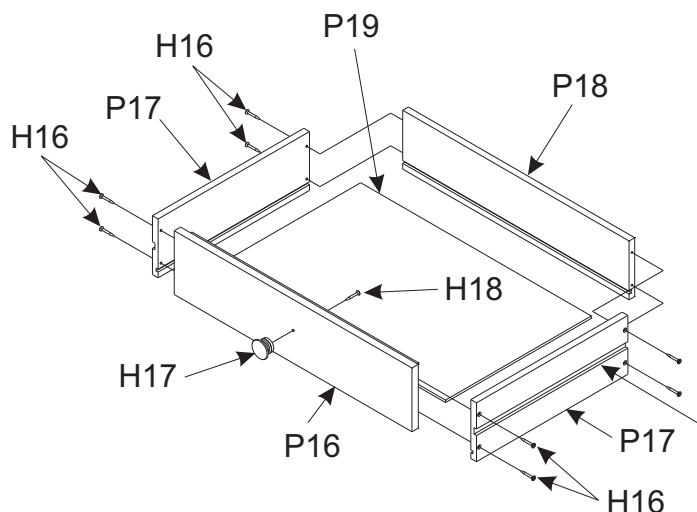


Figure 1

NOTE: Large grooves in side panels go to outside

Step 2

Locate the following:

- 1-Bar Top - P4
- 3-Wine Glass Rack - P12
- 1-Drawer Stop - H11
- 10-M3.5x12mm Wood Screw - H1

Attach Wine Glass Racks **P12** to the underside of Bar Top **P4** using Screws **H1** in the pre-drilled holes. **Hand tighten only, do not over tighten.** Using Screw **H1**, attach the plastic Drawer Stop **H11** in pre-drilled hole as shown.

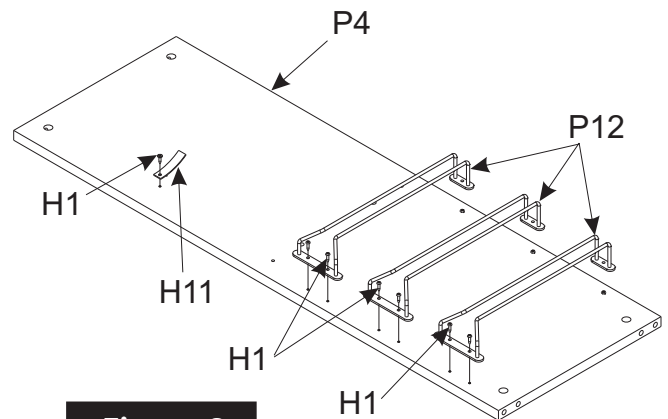


Figure 2

Step 3

Locate the following:

- 1 - Middle Panel- P2
- 1 - Shelf - P3
- 1 - Base - P1
- 6 - Cambolts - H8
- 6 - Camlocks - H9
- 6 - Wood Dowels - H10

To connect Middle Panel **P2** to Bar Top **P4**, screw (2) Cambolts **H8** into underside of Bar Top **P4**. Next, insert (2) Wood Dowels **H10** into top joining edge of Middle Panel **P2**, slide this panel against top to form a "T". **Be sure drawer slide on middle panel is on the same side of the assembly as the plastic drawer stop.** To interlock these two panels, insert (2) Camlocks **H9** into middle panel, turn to lock.

Where Shelf **P3** attaches to the Middle Panel **P2**, screw (2) Cambolts **H8** into Middle Panel. Insert (2) Wood Dowels **H10** into connecting edge of middle panel. Slide Shelf **P3** to Middle Panel **P2**, insert (2) Camlocks **H9** into the underside of shelf and turn to lock.

Where Base **P1** attaches to Middle Panel **P2** screw (2) Cambolts **H8** into Base **P1**. Insert (2) Wood Dowels **H10** into bottom edge of Middle Panel **P2**, join the base to the middle panel, insert (2) Camlocks **H9** into Middle Panel **P2** and turn to lock.

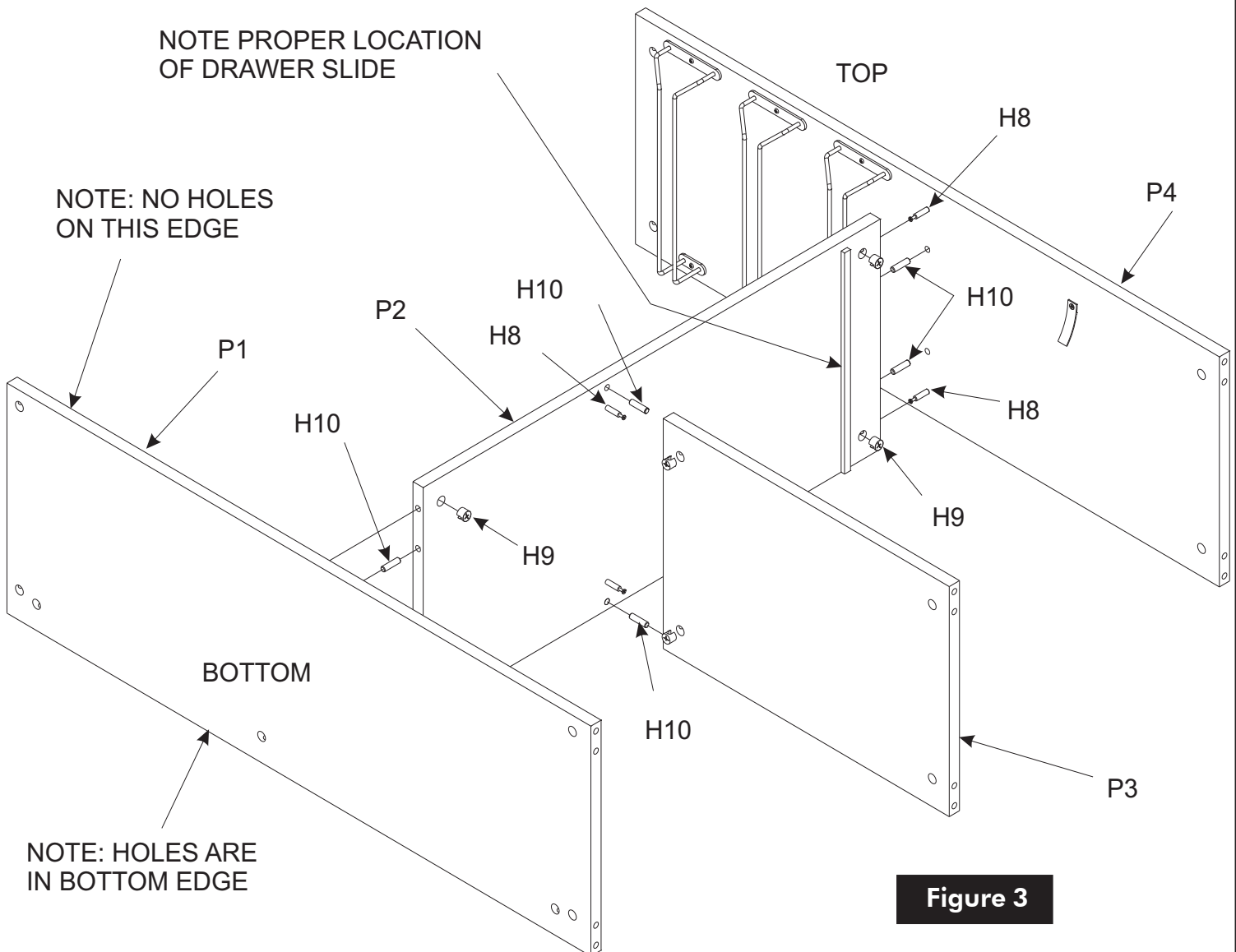


Figure 3

Step 4

Locate the following:

- | | |
|--|-------------------------------|
| 1- Side Panel Right (w/drawer slide) -P6 | 6-M6 Acorn Nut - H4 |
| 2- Footrest Support - P13 | 6-M6 Lock Washer -H6 |
| 1- Footrest Bar (short) -P14 | 2-Footrest Support Plate - H7 |
| 6- M6x30mm Bolts-H3 | 6-Cambolts - H8 |
| | 6-Camlocks - H9 |
| | 6-Wood Dowel - H10 |

To pre-assemble side panel footrest, slide (2) Footrest Support **P13** onto Footrest Bar **P14**. Be sure set screw in each support is on the bottom. Do not tighten set screws at this time. Attach footrest assembly to Side Panel **P6** using (6)Bolts **H3**, (2) Footrest Support Plate **H7**, (2)Lock Washer **H6**, and (6)Acorn Nut **H4**. Use the **T1** Allen Wrench to tighten set screws in Footrest Support. Next to attach Side Panel **P6**, screw (6) Cam Bolts **H8** into Side Panel **P6** as required. Insert (2 each) Wood Dowels **H10** into the ends of the **P4** Bar Top, **P3** Shelf and **P1** Base. Slide Side Panel **P6** into place. Insert (2each) Camlocks **H9** into the underside of the Top, Shelf, and Base. Turn Camlocks to lock in place.

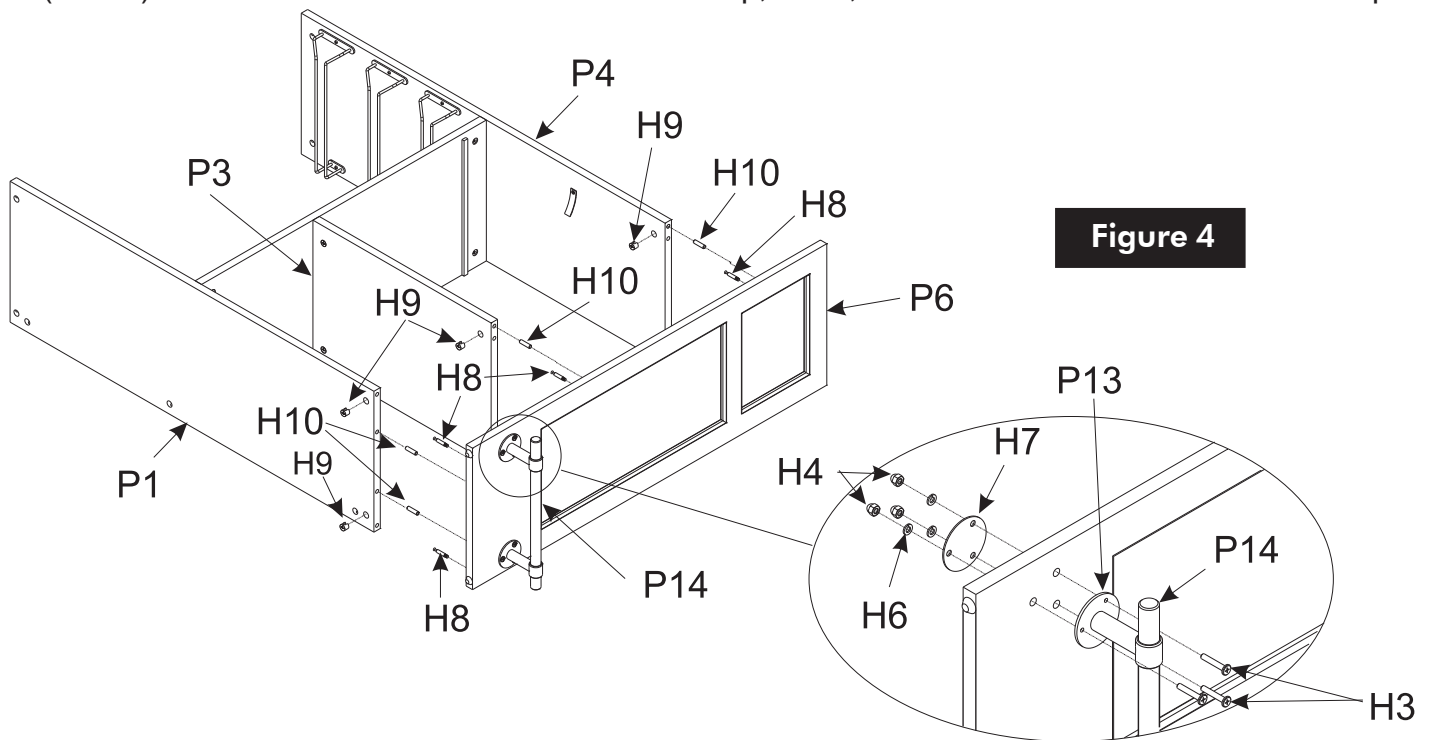


Figure 4

Step 5

Locate the following:

1-Side Panel Left - P5

2- Footrest Support - P13

1- Footrest Bar (short) - P14

6-M6x35mm Bolts - H3

6- M6 Acorn Nut - H4

6- M6 Lock Washer - H6

2- Footrest Support Plate - H7

4- Cambolts - H8

4- Camlocks - H9

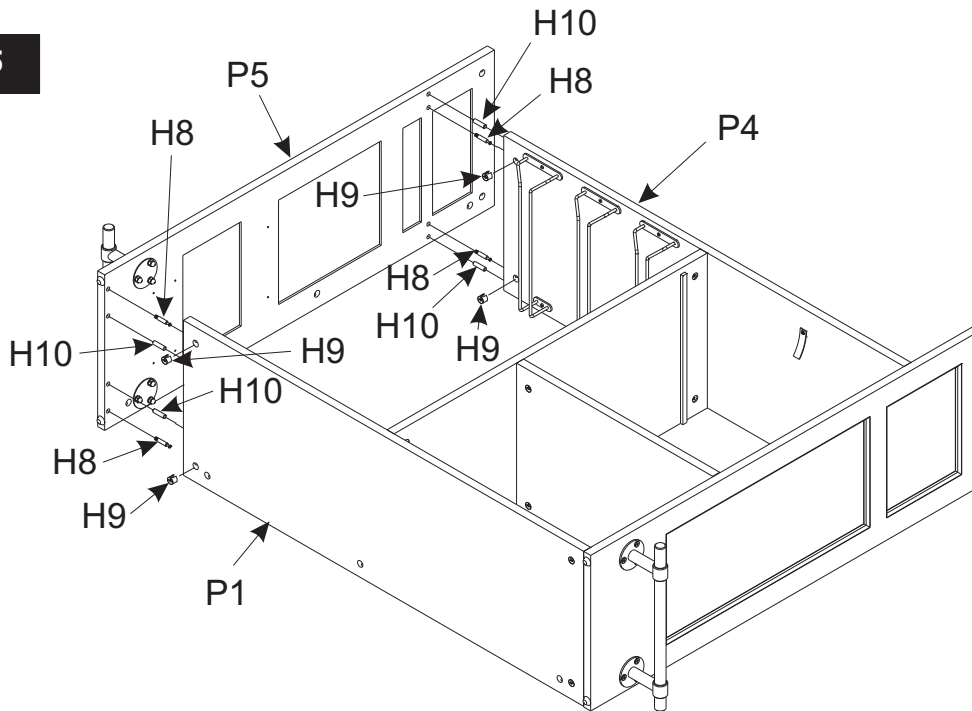
4- Wood Dowels - H10

Repeat Step 4 procedure to attach Footrest Assembly to Side Panel Left **P5**.

Next, screw (4) Cambolts **H8** into Side Panel Left **P5**. Insert (2each) Wood Dowels **H10** into the ends of Bar Top **P4** and Base **P1**. Slide Side Panel into place. Insert (2 each) Camlocks **H9** on the underside of the Top and Base. Turn Camlocks to lock into place.

With the help of another adult, carefully place the bar upright.

Figure 5



Step 6

Locate the following:

4-Wine Rack Side - P7

M3.5x16mm Screws -H12

2-Bottle Rack (wide cutout) P8

2-Bottle Rack (narrow cutout) P9

Assemble each wine rack as shown. One rack will consist of wide cutouts **P8** and the other will have narrow cutouts **P9**. Attach the rack with the wide cutouts first. The racks will be placed on the same side as the wine glass holders. Use predrilled holes on the inside of Panel Left **P5** and Middle Panel **P2**. Attach as shown in Figure 5. **Do not overtighten these screws. Hand Tighten Only.**

Figure 6

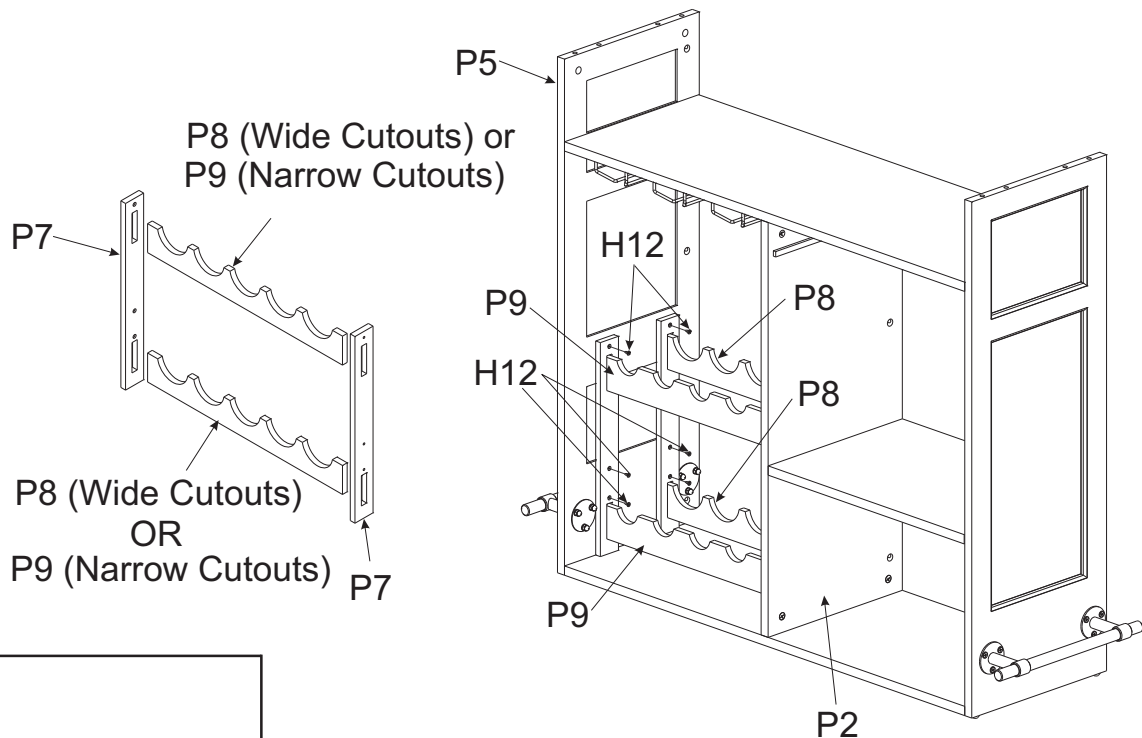
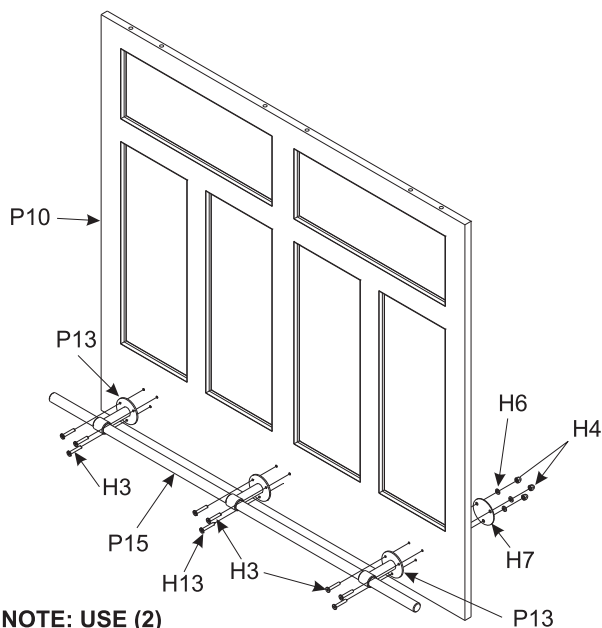


Figure 7



NOTE: USE (2) FLAT WASHERS (H5) ON BACKSIDE OF PANEL (P10) TO ATTACH CENTER FOOTREST SUPPORT

Step 7

Locate the following:

1-Front Panel - P10

1-Footrest Bar (long)- P15

3-Footrest Support -P13

8-M6x30mm bolt - H3

1 - M4.5x18mm Wood Screw- H13

2 - Footrest Support Plate - H7

8 - Lock Washer - H6

8 - Acorn Nut - H4

2 - Flat Washer - H5

With the help of another adult, find Front Panel P10 and place FACE UP on a table or flat surface. Assemble front footrest assembly as before in Step 4/5. Be sure the set screws are at the bottom of the each support. Attach each end support first using Bolts H3, Footrest Support Plate H7, Lock Washer H6, and Acorn Nut H4. Attach the middle support using the two top holes only with Bolts H3, Flat washers H5, Lock Washer H6, and Acorn Nut H4. Install (1) Screw H13 into bottom hole on the middle Footrest Support P13. Tighten all hardware at this time including the set screws on each support.

Step 8

Locate the following:

- 11-Cambolt - H8
- 11- Camlock - H9
- 11- Wood Dowel - H10

With the help of another adult, turn Front Panel **P10** over. Thread (11) Cambolts **H8** into place. Next, insert (11) Wood Dowels **H10** into holes on the face of the bar. **With the help of another adult**, place front panel onto the bar assembly and carefully match Dowels **H10** with Cambolts **H8** to corresponding holes. On the inside panels of the bar, insert Camlocks **H9** to interlock with Cambolts from front panel. Lock each into place. Lay bar over and insert camlocks into underside of bar base to interlock with cambolts from Front Panel. **With the help of another adult**, stand bar upright.

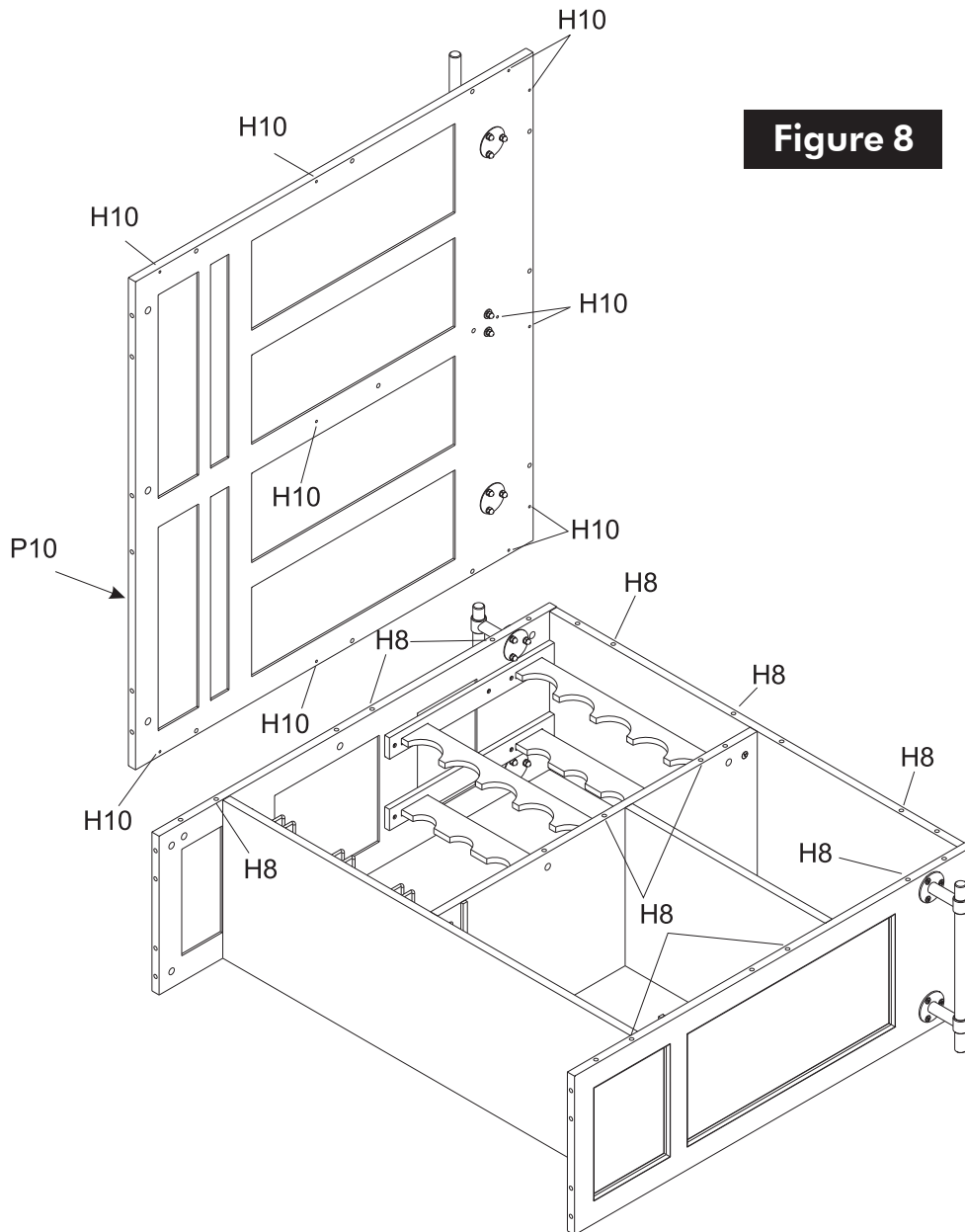


Figure 8

Step 9

To complete the assembly, find the following:

- 1- Bar Surround - P11
- 7- Cambolts - H8
- 7- Camlocks - H9
- 7 - Wood Dowels - H10

Thread (7) Cambolts **H8** into the underside of the Bar Surround **P11**. Next, insert (7) Wood Dowels **H10** into top edge of bar cabinet. **With the help of another adult**, lay the Bar Surround onto the bar cabinet. Insert (7) Camlocks **H9** where needed into panels on the inside of the bar

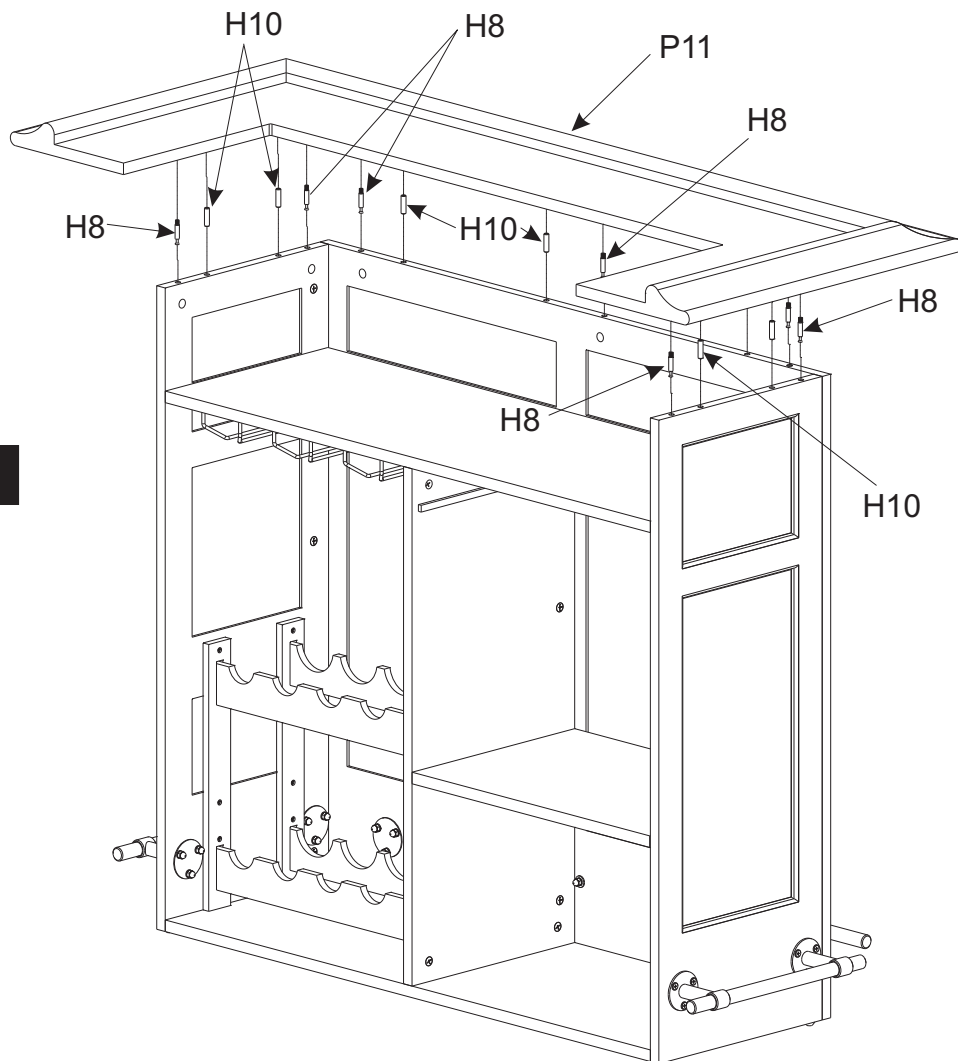


Figure 9

M01620 (25674) RECREATION ROOM BAR PARTS LIST

H1	M3.5x12mm Wood Screw	10
H3	M6x30mm Bolt	20
H4	M6 Acorn Nut	20
H5	M6 Flat Washer	2
H6	M6 Lock Washer	20
H7	Footrest Support Plate	6
H8	Cambolt	34
H9	Camlock	34
H10	Wood Dowel	34
H11	Plastic Drawer Stop	1
H12	M3.5x16mm Wood Screw	12
H13	M4.5x18mm Wood Screw	1
H14	M6x5mm Allen Screw	7
H16	M3.5x30mm Wood Screw	8
H17	Drawer Knob	1
H18	M3.5x38mm Wood Screw	1
P1	Base	1
P2	Middle Panel	1
P3	Shelf	1
P4	Bar Top	1
P5	Side Panel Left	1
P6	Side Panel Right	1
P7	Wine Rack Side	4
P8	Wine Rack (wide cutout)	2
P9	Wine Rack (narrow cutout)	2
P10	Front Panel	1
P11	Bar Surround	1
P12	Wine Glass Rack	3
P13	Footrest Support	7
P14	Footrest Bar (short)	2
P15	Footrest Bar (long)	1
P16	Drawer Front	1
P17	Drawer Side	2
P18	Drawer Back	1
P19	Drawer Bottom	1
T1	Allen Wrench	1