



Thank you for buying our product. We strive to ensure that our products are of the highest quality and free of manufacturing defects or missing parts. However, if you have any problems with your new product, **DO NOT RETURN IT TO THE STORE**, please contact us toll free @:

1-866-556-2758

FAX: 1-866-873-3530

tablehockey@escaladesports.com

Please have your model number when inquiring about parts.

Or write to:
Escalade Sports
Customer Service Department
P.O. Box 889
Evansville IN 47706

Please visit our Web site at:

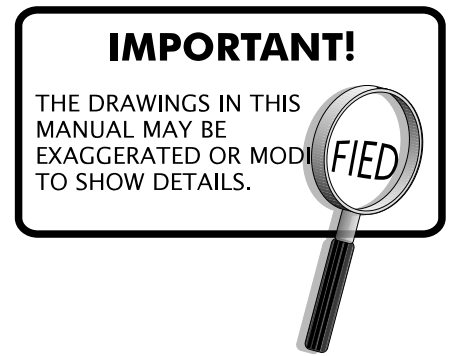
www.escaladesports.com

When contacting Escalade Sports please provide your model number, serial number (if applicable), and part number if requesting a replacement part. These numbers are located on the product, packaging, and in this owners manual.

Your Model Number **G03100**

Your model number is located on the original carton, this owners manual, and under the table. Please retain these instructions for ordering parts.

IMPORTANT! READ THIS MANUAL ALL THE WAY THROUGH BEFORE BEGINNING TO PUT YOUR GAME TABLE TOGETHER! THEN READ EACH STEP BEFORE STARTING THAT STEP.



TWO ADULTS ARE REQUIRED TO ASSEMBLE THIS GAME TABLE

Philips Screwdriver
Adjustable Wrench or Socket Set
Furniture Polish and Cloth

An electric screwdriver is helpful in assembly. However, please use extreme caution with an electric screwdriver because you could overtighten the hardware and strip the screws.

IMPORTANT!

Make sure you understand the following tips before you begin to assemble your soccer table.

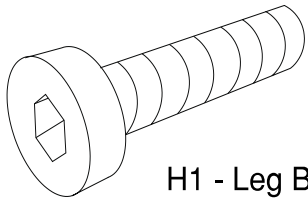
1. When installing parts that have more than one bolt, start ALL the bolts in that part by hand before tightening anything.
2. Some drawings or images in this manual may not look exactly like your product.
3. You can apply spray furniture polish to a cloth and then wipe down the playfield to make the pucks slide easier on the table.
4. Only plug the table motor into a suitable 120v AC household outlet.
5. This product is intended for INDOOR use only.

WARNING:

READ AND FOLLOW ALL ASSEMBLY, OPERATION, AND SAFETY INSTRUCTIONS CAREFULLY. AT LEAST TWO ADULTS ARE NEEDED TO PUT THIS GAME TABLE TOGETHER!

PARTS IDENTIFIER

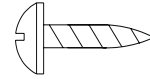
(Not to Scale)



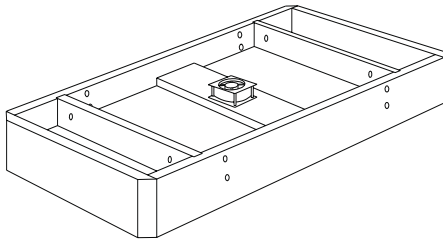
H1 - Leg Bolt



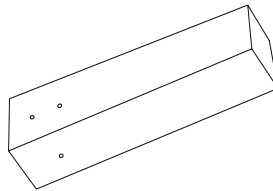
H2 - Flat Washer



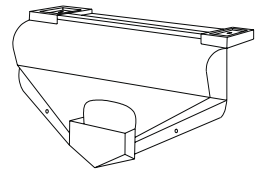
H3 - 1/2 Round Head Screw



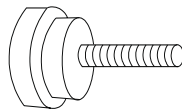
P1 - Main Cabinet



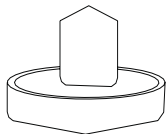
P2 - Leg



P3 - Puck Catcher



P4 - Leg Leveler



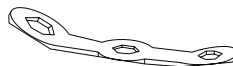
A1 - Striker



A2 - Felt Pad



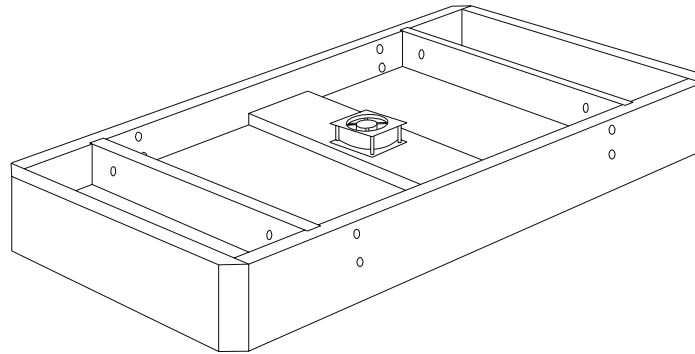
A3 - Puck



A4 - Tool

1. Find a clean, level place to begin the assembly of your hockey table. We recommend building the table on the box top to protect the parts during assembly.

2. Place the main cabinet **P1** on the ground with the playing side down.



3. Attach the legs **P2** to the main cabinet **P1** using bolts **H1** and washers **H2** as shown in **Figure 1**. Repeat this step for all legs.

4. Attach the leg levelers **P4** to the end of the legs **P2** as shown in **Figure 1**. Repeat this step for all legs.

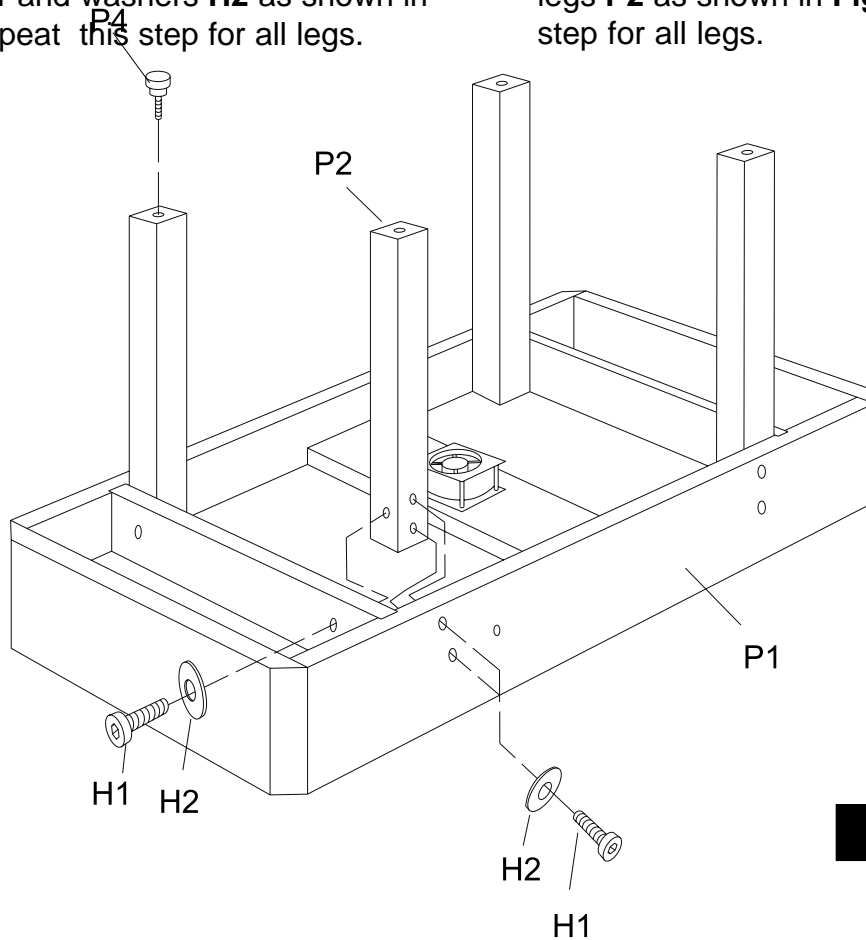


Figure 1

 **WARNING:**

THIS STEP REQUIRES TWO OR MORE ADULTS.

VERY CAREFULLY TURN THE TABLE OVER AND SET IT ON ITS LEGS. BE CAREFUL, THE TABLE IS VERY HEAVY.

4. Attach the puck catcher **P3** to the end of the table with screws **H3** as shown in **Figure 2**. The screws are self tapping and will make there own holes.

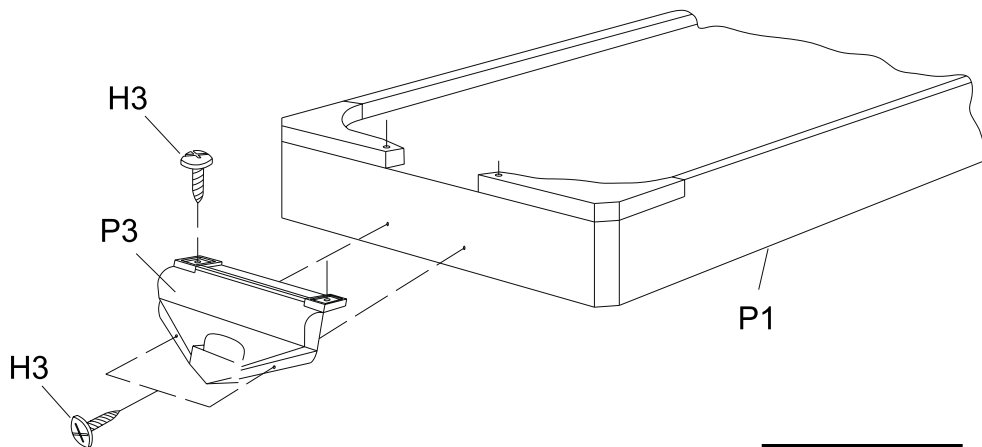
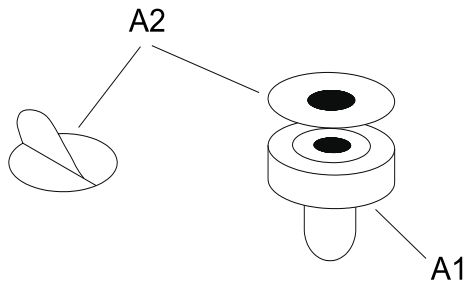


Figure 2

6. Attach the felt pad **A2** to the striker **A1** as shown in **Figure 3**.

Figure 3



GAME RULES

The Object of the Game

To score a predetermined number of points or to score the most points in given amount of time.

To Play

Flip a coin to determine who will begin play. Play begins when the puck is placed on the playing surface. Players must hit the puck with the striker and attempt to shoot it into their opponent's goal. One point is awarded when a puck is shot into the opponent's goal.

PRODUCT PARTS LIST

Part #	Description	Qty.	Part#	Description	Qty.
H1	Leg Bolt	12	A2	Felt Pad	2
H2	Flat Washer	12	A3	Puck	4
H3	1/2 Round Head Screw	8	A4	Tool	1
P1	Main Cabinet	1	C1	Rail Corner	4
P2	Leg	4	C2	Blower Motor	1
P3	Puck Catcher	2	C3	Blower Motor Grill	1
A1	Striker	2	C4	Junction Box With Cord	1
			C5	Hardware Kit	1

Model # G03100