

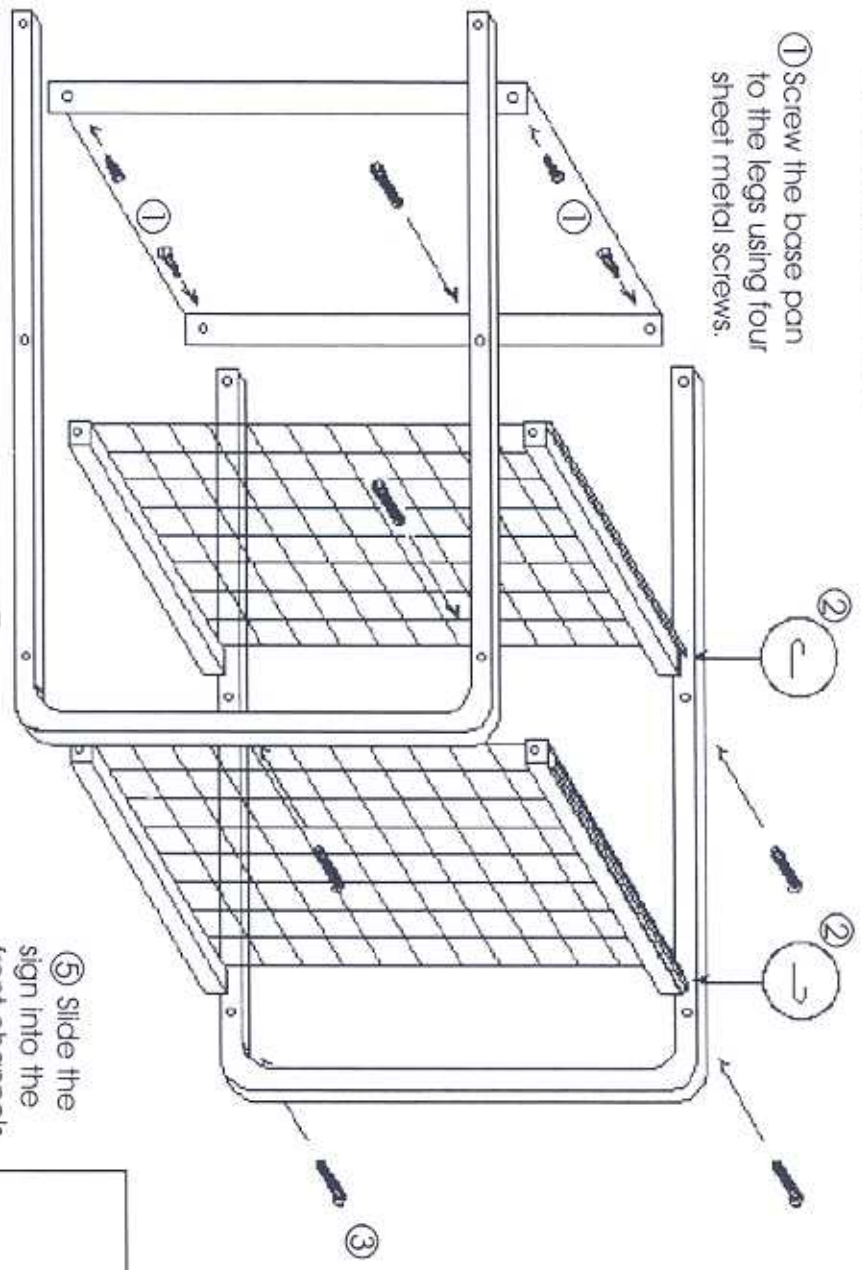
F9990W Step Bar Display

Assembly Instructions

For ease of assembly unit should be assembled on its side.

② Place the two shelves into position. Note that the card channels that will hold the sign must face each other as shown.

① Screw the base pan to the legs using four sheet metal screws.



③ Screw each of the shelves to legs using four bolts on each side.

⑤ Slide the sign into the front channels.

④ Attach stabilizer legs to all four corners using bolt and nut.

