

TollFree: (800) GO-SWING or
(800) 467-9464
Fax: (866) 873-3537
E-mail: childlifecs@escaladesports.com
Home Page: childlife.com

Zoom Slide



This illustration shows the Zoom Slide fastened to the Mt. Rainier.

Congratulations and thank you for purchasing a fine ChildLife® brand play system!

Please read this instruction sheet completely before starting assembly.

DO NOT allow any use of the equipment until it been completely assembled and installed in accordance with these instructions. Serious injury could result.

Please keep a copy of your order and our catalog with this sheet for future reference.

**Continued on reverse. If the reverse is blank, do NOT install your Slide.
Call ChildLife immediately for a free replacement copy of these instructions.**

The Zoom Slide is an add-on to your ChildLife play system. These assembly instructions must be used in conjunction with the Assembly Instructions and Owner's Manual of the play system treehouse you have purchased.

Refer to the Assembly Instructions and Owner's manual of the play system you have purchased for very important information you need to know:

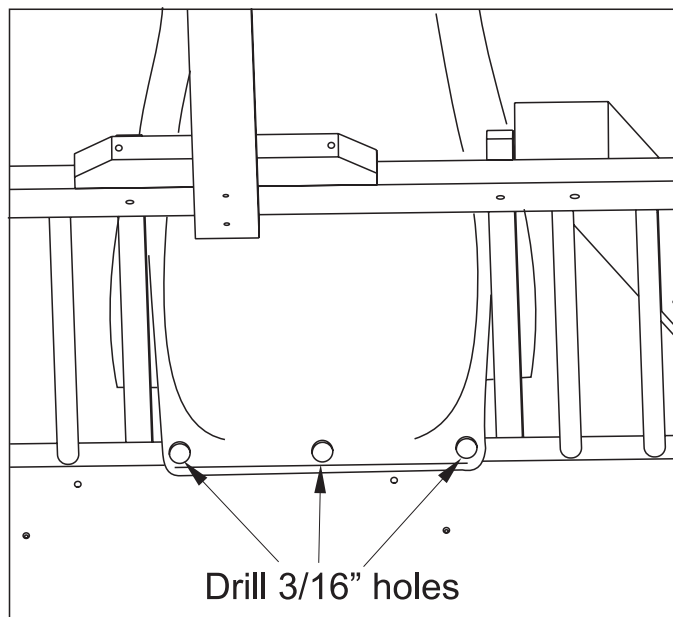
- Choosing a Safe Installation Site
- Safety During Installation
- Tools Required
- Hardware and Safety Nut Information
- Maintenance Instructions
- Instructions for safe use

Please be sure you read and understand our recommendations for safe installation sites and safety during installation, as well as the US Consumer Products Safety Commission's recommendations concerning the depth of various resilient surfacing materials. If you do not have the Assembly Instructions and Owner's Manual of the play system you have purchased, which contains this important information, contact ChildLife Inc at (800) 467-9464 or (508) 429-4639 for a free replacement copy.

Fasten Slide to your Play System.

See the ChildLife Backyard Play System catalog for suggested attachment points, and if you have any questions at all call ChildLife or your local dealer.

1. Insert slide into slide opening and center recessed holes over deck support.
2. Drill 3/16" holes through slide and into deck support.
3. Attach slide to deck support using three lag bolts and washers provided.



Check the Slide monthly during the useage season to ensure that it is securely fastened. Make sure children follow the instructions for safe use that pertain to slides found in the Owners Manual of the play system you have purchased. If you do not have this, call ChildLife for a free replacement copy.