

6x6 Sandbox (Box Packing List on Reverse)

rev 5/16/05

ChildLife Inc.

Escalade Sports®
P.O. Box 889
Evansville, IN 47706

TollFree (800) GO-SWING or (800) 467-9464
Fax (866) 873-3537
E-mail childlifecs@escaladesports.com
Home Page childlife.com

BOX PACKING LIST BOX 74 - 6X6 SANDBOX

1) Inventory the parts. The 6x6 Sandbox comes in one box marked #74. Refer to the Box Packing List on the reverse.

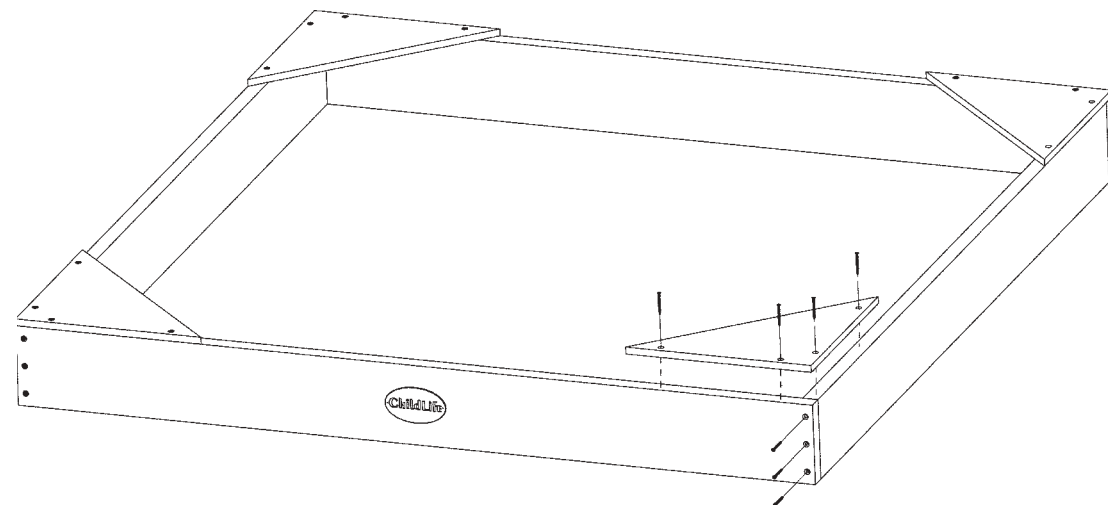
Note: To install the screws, tap them part way in with a hammer. Screw them straight in to avoid splitting the wood. If the wood does split, drill a new pilot hole at an alternate location and use that hole instead. Do not leave screws heads exposed, as they may cause injury. Use a household file to remove sharp edges.

2) Assemble the Sides. Lay out the two 72" Ends and the two 72" Sides to form a rectangle. Position the Sides such that the brass ChildLife® label is right side up and facing out. Screw the **Ends to the Sides** using the (12) 2-1/2" screws. Use three screws at each corner; use the pre-drilled holes in the Ends.

3) Attach the Seats. Fasten the (4) triangular seats (**smooth side down**) with (16) 1-1/2" screws. Use four screws to attach each seat; use the pre-drilled holes in the seats.

4) Level the Sandbox. Level the ground under the Sides and Ends of the Sandbox so that it sits firmly on the ground. This will prevent the sand from running out beneath the edges of the Sandbox. If you desire deeper sand for deeper digging, excavate the ground within the confines of the sandbox to the desired depth.

5) Fill with sand. Play sand is available at most home improvement centers. To fill the Sandbox 6" deep (without the additional excavation described in paragraph 4 above) will require 12 cubic feet of sand.



REQ'D	ITEM
2	Side Sections - 72" long (with label)
2	End Sections - 72" long
4	Triangular Corner Seats
1	Hardware Bag

THE HARDWARE BAG CONTAINS:

16	1-1/2" Stainless Steel Screws
12	2-1/2" X #12 Wood Screws

Assembly Instructions are printed on the reverse of this page. If the reverse of this page is blank, call ChildLife to request a free copy of the Assembly Instructions.

Thank you for choosing a fine ChildLife® brand play system!