

# ChildLife Inc.

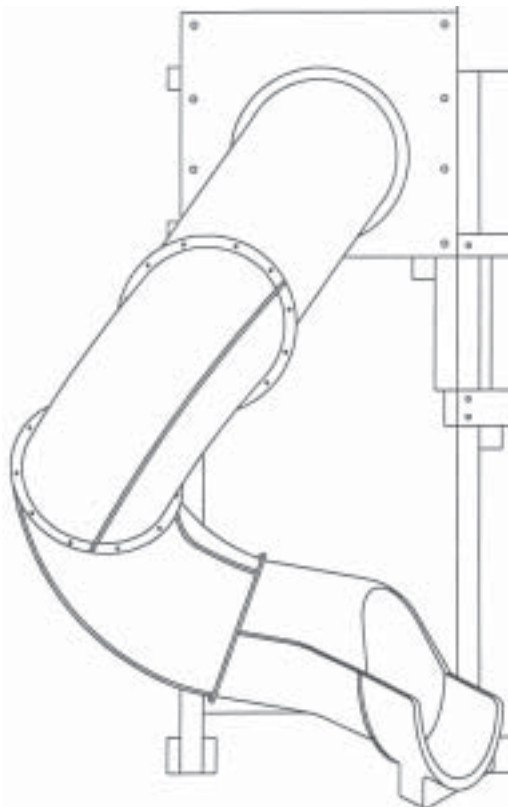
Escalade Sports®  
P.O. Box 889  
Evansville, IN 47706

TollFree (800) GO-SWING or (800) 467-9464  
Fax (866) 873-3537  
E-mail [childlifecs@escaladesports.com](mailto:childlifecs@escaladesports.com)  
Home Page [childlife.com](http://childlife.com)

## Assembly Instructions and Owner's Manual

### NOTE TO INSTALLER:

This manual, and the hex key wrenches provided, must be left with the homeowner after the play system has been assembled and installed.



## DELUXE Turbo Slide

### CAUTION!

**Do NOT let children  
climb on the outside of  
the Slide!**

*Congratulations and thank you for purchasing a fine  
ChildLife® brand play system!*

- 1) This product is for residential use **only**. It is **not** intended for use in places of public assembly such as schools, nurseries, day-care centers, and parks.
- 2) Please read this instruction manual completely **before** starting assembly.
- 3) **Do not** allow any use of the equipment until it been completely assembled and installed in accordance with these instructions. Serious injury could result.
- 4) Please keep a copy of your order and our catalog with this manual for future reference in ordering replacement parts.
- 5) For use by children ages 5 through 12 years under competent adult supervision at all times.

## **NOTE:**

This product is an Add-on for Glacier and Everest play systems. Your play system is NOT complete and NOT safe for use until all the required Add-ons you have purchased have been correctly assembled and installed in accordance with our instructions. If you ever have any questions about the correct and safe installation of **any** ChildLife product, please telephone us toll-free at (800) GO-SWING, which is (800) 467-9464.

These assembly instructions are to be used in conjunction with the Glacier or Everest Assembly Instructions and Owner's Manuals.

Please be sure you read and understand our recommendations for safe installation sites and safety during installation, as well as the U.S. Consumer Products Safety Commission's recommendations concerning the depth of various resilient surfacing materials. If you do not have this, contact ChildLife at (800) 467-9464 to obtain a free replacement copy.

Take the time NOW to refer to the Glacier and Everest Assembly Instructions and Owner's Manual for very important information you need to know:

## **Important Information about Your Play System**

### **Prepare for the Installation**

### **Inventory your Boxes**

### **Choose a Safe Installation Site**

### **Installation Tips**

### **Safety During Installation**

### **Tools Required**

### **Stepladder Safety**

### **Hardware and Safety Nut Information**

### **Packaging and Our Environment**

### **Testing after Assembly and Installation**

### **Regular Maintenance**

### **Instructions for Safe Use**

### **Disposal of the Equipment**

## **Step 1. INVENTORY YOUR BOXES**

The Deluxe Turbo Slide is shipped in one box marked #S54. This item can be fastened to the Ends or Sides of Glacier play systems, and the Side (only) of the 6x3 Tower of Everest play systems. The Turbo Slide will **only** attach at a 7' deck height.

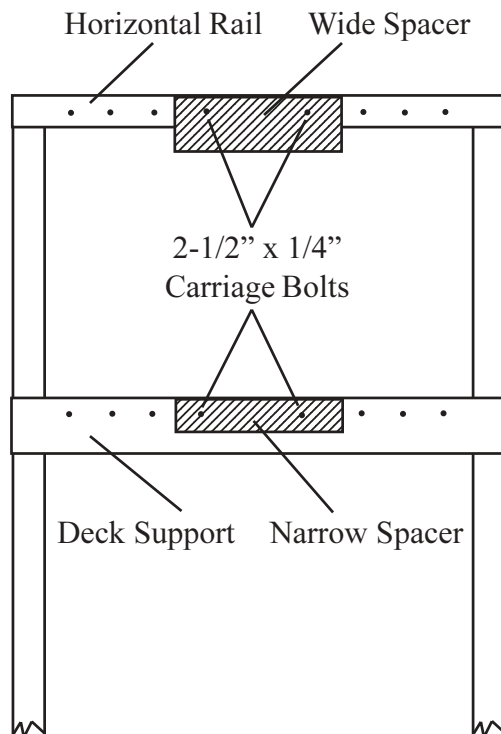
## **Step 2. FASTEN THE TWO HORIZONTAL SPACERS TO THE TOWER**

### **(See Illustration 1)**

Observe the Horizontal Rail and Deck Support at the opening where you will install the Turbo Slide. Notice the nine pre-drilled holes on each, which we will refer to as holes #1-9 from left to right.

Locate the two Spacers; each is about 22" long. Fasten the Wide Spacer (made of 2x6) to the Horizontal Rail and the Narrow Spacer (made of 2x4) to the Deck Support using holes #4 and #6.

### **Illustration 1**



The Wide Spacer should be flush with the top of the Horizontal Rail, and overhangs slightly at the bottom; see **Illustration 1**.

The Narrow Spacer should be approximately flush with the top of the Deck Support; see **Illus. 1**.

Use a total of four 2-1/2" x 1/4" Carriage Bolts and 1/4" Safety Nuts. **Fasten securely.**

### **Step 3. FASTEN THE TWO IDENTICAL BALUSTERS TO THE TOP OF THE SLIDE (See Illusts 2 and 3)**

Locate the two identical Slide Balusters and the top section of the Slide. Identify the **bottom** of the Slide Balusters by finding the small "dimple" next to the bottom hole. See **Illustration 2**.

See Illustration 3. Fasten the Slide Balusters to the back of the top of the Slide. Use the top three holes in the Slide (on each side) and a total of six 1-1/2" x 1/4" Carriage Bolts and 1/4" Safety Nuts. The bolts travel first through the plastic slide panel, then into the Slide Balusters. **Fasten hardware securely.**

### **Step 4. FASTEN THE TOP OF THE SLIDE BALUSTERS TO THE HORIZONTAL RAIL (See Illustration 4)**

With a helper, lift the top slide section, with Slide Balusters attached, up and into position at holes # 3 and #7 in the Horizontal Rail. The Slide Balusters will fit into place on either side of the Spacers you installed in Step 2.

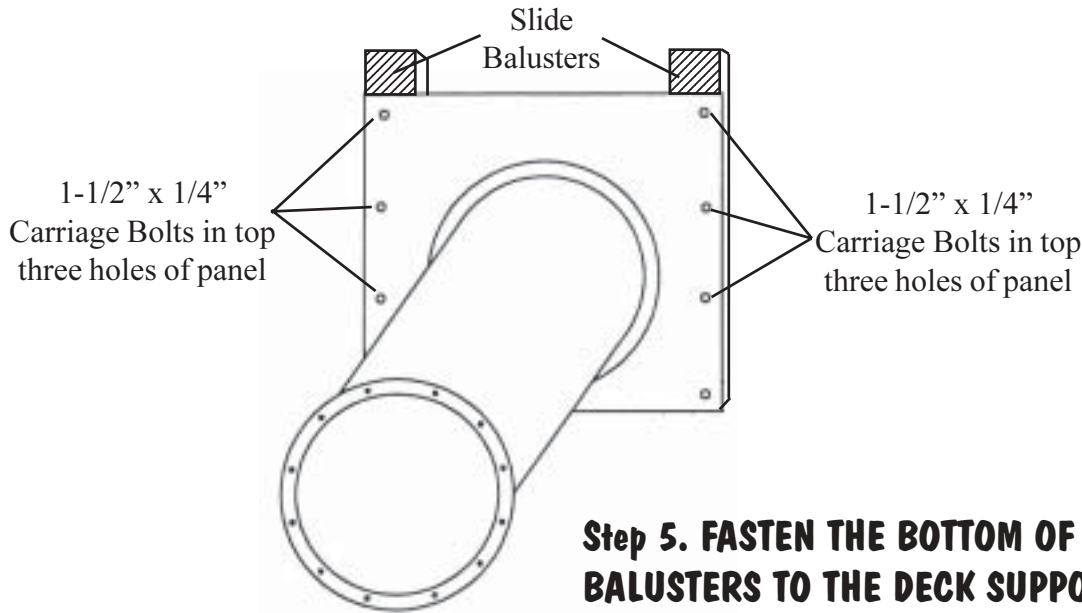
Fasten the top of the Slide Balusters to the Horizontal Rail with two 2-1/2" x 1/4" Carriage Bolts and 1/4" Safety Nuts. Leave hardware slightly loose until you complete Step 5.

### **Illustration 2**



This "dimple" indicates the bottom of the Slide Baluster.

### **Illustration 3**



### **Step 5. FASTEN THE BOTTOM OF THE SLIDE BALUSTERS TO THE DECK SUPPORT (See Illustration 4)**

Fasten the bottom of each Slide Baluster to the Deck Support with two 2-3/4" x 1/4" Carriage Bolts and 1/4" Safety Nuts. The bolts travel first through the plastic panel, through the Slide Baluster, then through the Deck Support and into a Safety Nut.

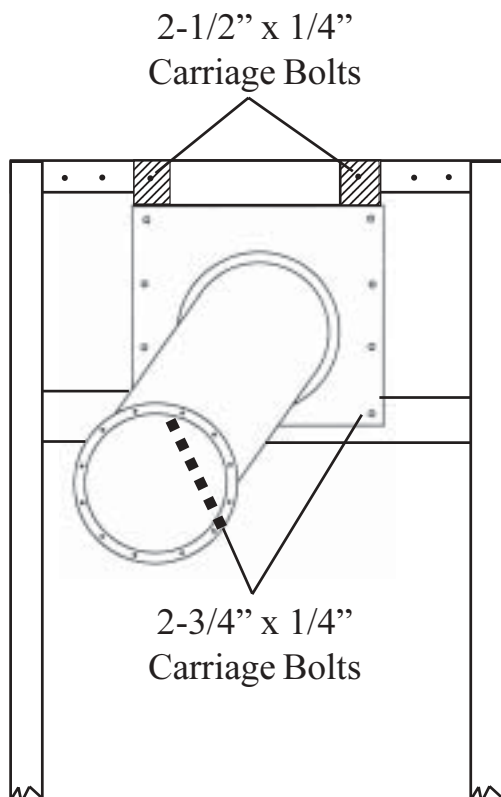
**Fasten hardware securely, then go back and tighten securely the hardware you left loose in Step 4.**

### **Step 6. ASSEMBLE ONE CURVED SLIDE SECTION (See Illustration 5)**

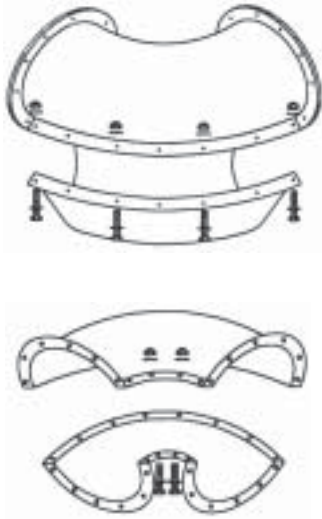
Locate a Top Curved Section (with overlapping flange) and a Bottom Curved Section (without).

Fasten the Top and Bottom Pieces together along the ribs with the 1" bolts, nuts, and washers provided. Make sure you install one bolt, one nut, and two washers at each hole provided on the ribs. Use a total of 13 bolts and nuts, and 26 washers.

### **Illustration 4**



### **Illustration 5**



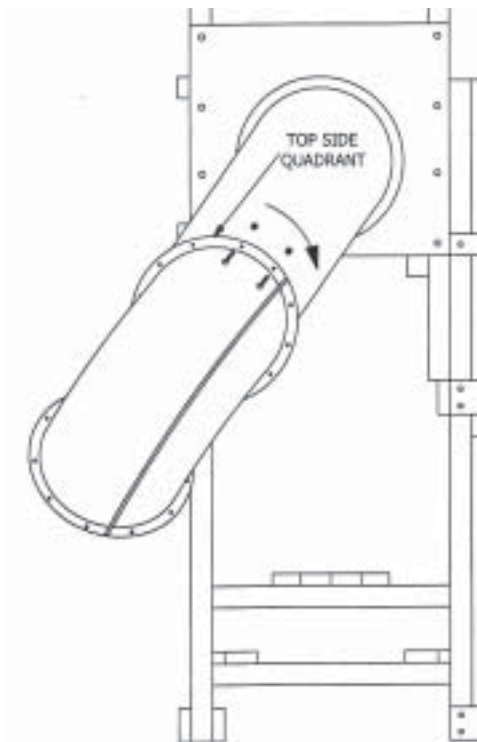
Use two washers for each bolt; one at the head of the bolt and one next to the nut.

Fasten the hardware finger tight until the entire section is assembled. Each time you join parts be sure each flanged lip is mating with a flat lip.

To aid in aligning holes, insert a screwdriver through adjacent holes to maintain hole alignment. Due to the expansion and contraction of the polyethylene it may be necessary to widen existing holes by re-drilling with a 3/8" drill bit.

### **Step 7. FASTEN THE CURVED SLIDE SECTION TO THE TOP SECTION (See Illustration 6)**

### **Illustration 6**



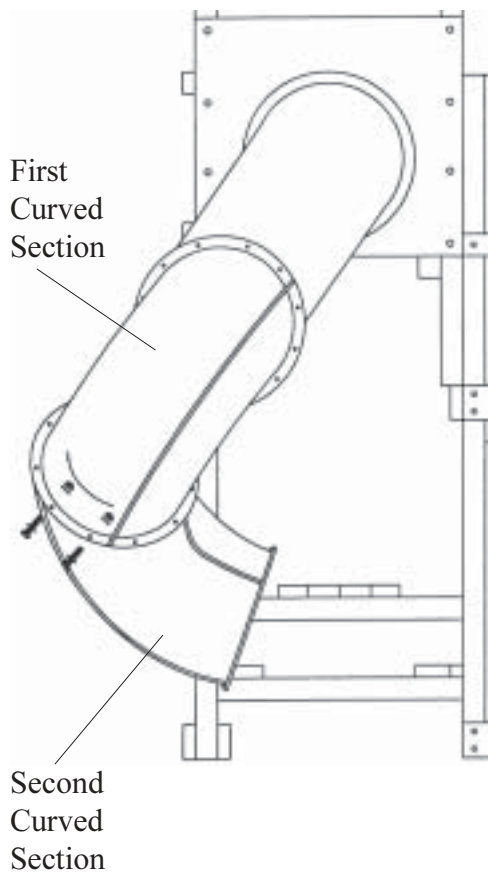
Raise the Curved Section up to the Top Section and align the pilot holes in each of the flanges of both pieces.

Rotate the rib of the Curved Section two holes over to the **right**. See **Illustration 6**.

Fasten the Curved Section to the Top Section with the 1" bolts, nuts, and washers provided. Fasten one or two at top and bottom first (to hold everything in place), then proceed with the rest of the hardware. Use a total of 12 bolts and nuts, and 24 washers.

**NOTE:** Fasten the hardware finger tight until the entire section is assembled. **Then fasten all hardware securely.**

**Illustration 7**



**Step 8. FASTEN THE NEXT CURVED SECTION (See Illustration 7)**

Assemble another Curved Section by following the instructions in Step 6 of this Manual.

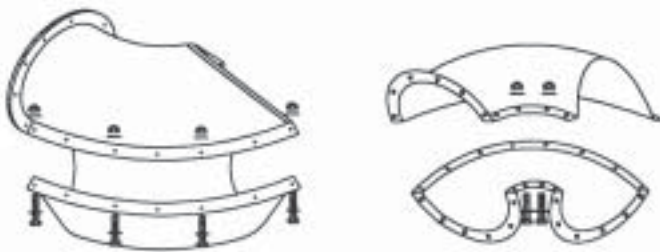
Raise the second Curved Section up to the first Curved Section and align the pilot holes in each of the flanges of both pieces.

Rotate the rib of the second Curved Section two holes over to the **left** of the rib of the first Curved Section. **See Illustration 7.**

Fasten the second Curved Section to the first Curved Section with the 1” bolts, nuts, and washers provided. Fasten one or two at top and bottom first (to hold everything in place), then proceed with the rest of the hardware. Use a total of 12 bolts and nuts, and 24 washers.

**NOTE:** Fasten the hardware finger tight until the entire section is assembled. **Then fasten all hardware securely.**

**Illustration 8**

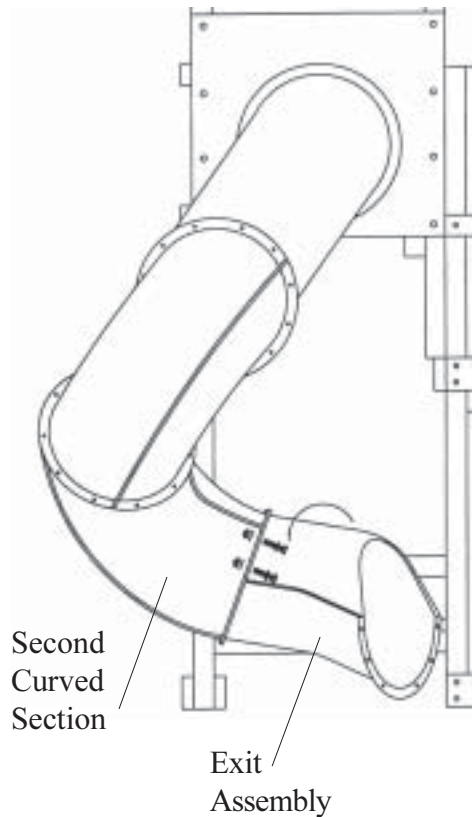


**Step 9. ASSEMBLE AND FASTEN THE EXIT PIECE (See Illustrations 8 and 9)**

Identify the Top and Bottom Exit Pieces. The Top is recognized by the cutout for the exit.

Bolt the Exit Pieces together to create the Exit Assembly. Use the same concepts as described in Step 6 of this Manual.

### **Illustration 9**



Raise the Exit Assembly up to the second Curved Section and align the pilot holes in each of the flanges of both pieces.

Rotate the rib of the Exit Assembly two holes over to the **left**. See **Illustration 9**.

Fasten the Exit Assembly to the second Curved Section with the 1" bolts, nuts, and washers provided. Fasten one or two at top and bottom first (to hold everything in place), then proceed with the rest of the hardware. Use a total of 12 bolts and nuts, and 24 washers.

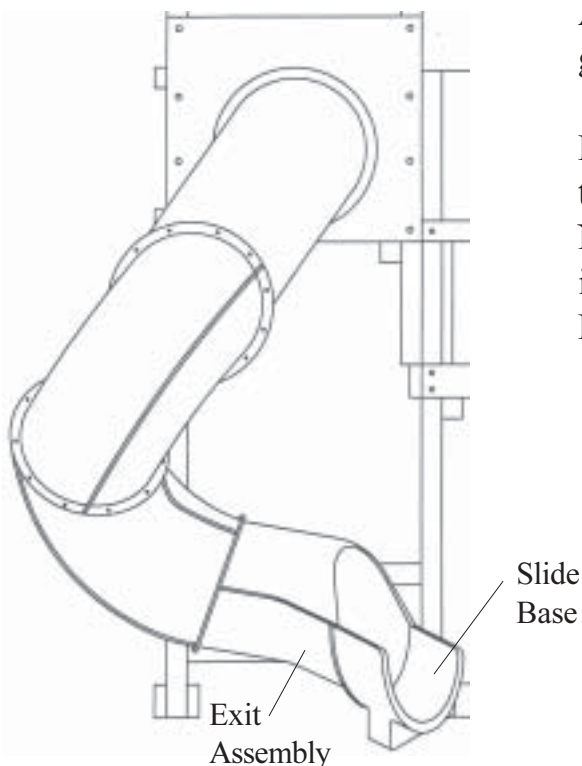
**NOTE:** Fasten the hardware finger tight until the entire section is assembled. **Then fasten all hardware securely.**

### **Step 10. FASTEN SLIDE BASE (See Illustration 10)**

Locate the Slide Base. Align each of the pilot holes of the Slide Base with those of the Exit Assembly so that the Base rests squarely on the ground.

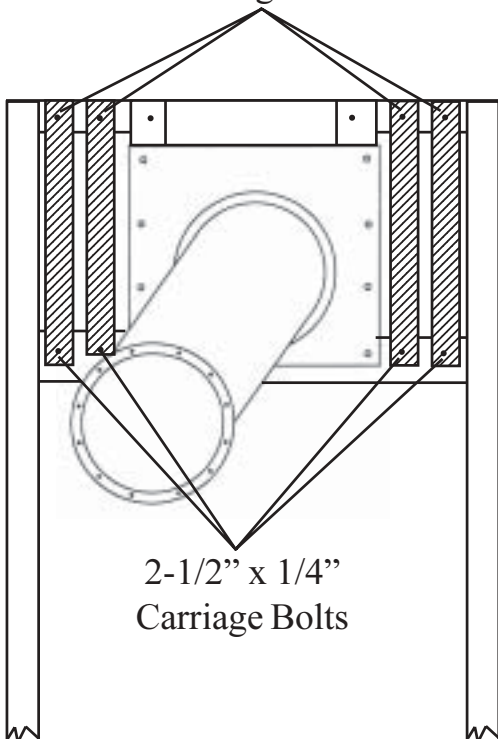
Fasten the Slide Base to the Exit Assembly with the six 3/4" Bolts and six Washers provided. Nuts are not needed as the bolts thread directly into fasteners molded right into the plastic. **Fasten all hardware securely.**

### **Illustration 10**



#### **Illustration 4**

2-1/2" x 1/4"  
Carriage Bolts



2-1/2" x 1/4"  
Carriage Bolts

#### **Step 11. FASTEN FOUR BALUSTERS (See Illustration 11)**

Locate the four identical Balusters in Box #S54. Fasten these Balusters at Holes #1, 2, 8, and 9 to the Horizontal Rail and the green Deck Support. Use a total of eight 2-1/2" x 1/4" Carriage Bolts and 1/4" Safety Nuts. **Fasten all hardware securely.**

#### **Step 12. FOLLOW SAFETY INSTRUCTIONS**

Please fully read, understand, and follow **all** the safety instructions found in your Everest or Glacier play system manual. If you have any questions at all, please call ChildLife at (800) 467-9464.

#### **Step 13. ASSEMBLE AND INSTALL ALL REQUIRED DECK-LEVEL ADD-ONS**

Return to your Everest or Glacier play system manual and complete the installation of all required Deck-level Add-ons. Your play system is **not** ready to be used until all the required Deck-level add-ons have been installed.

*Thank you!*