

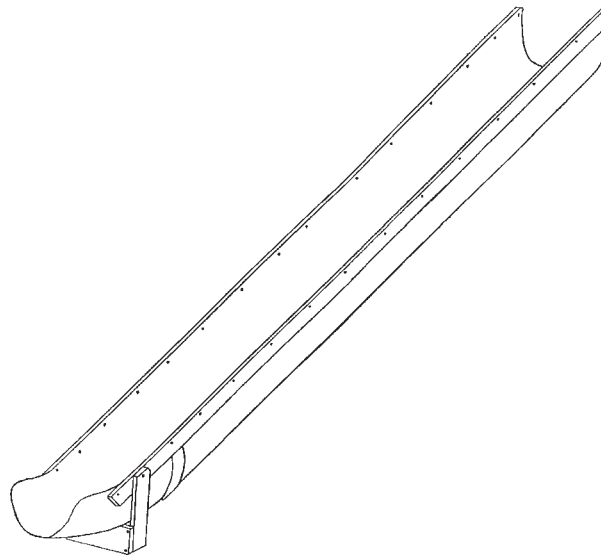
ChildLife Inc.

Escalade Sports®
P.O. Box 889
Evansville, IN 47706

TollFree (800) GO-SWING or (800) 467-9464
Fax (866) 873-3537
E-mail childlifecs@escaladesports.com
Home Page childlife.com

NOTE TO INSTALLER:
This manual and any tools provided, must be left with the homeowner after the play system has been assembled and installed.

14 Foot Zoom Slide



**Congratulations and thank you for purchasing a fine
ChildLife® brand play system!**

- 1) This product is for residential use only. It is not intended for use in places of public assembly such as schools, nurseries, day-care centers, and parks.
- 2) Please read this instruction manual completely before starting assembly.
- 3) DO NOT allow any use of the equipment until it been completely assembled and installed in accordance with these instructions. Serious injury could result.
- 4) Please keep a copy of your order and our catalog with this manual for future reference in ordering replacement parts.
- 5) For use by children ages 5 through 12 years under responsible adult supervision at all times.

NOTE:

This product is an Add-on for Glacier and Everest play systems. Your play system is **not** complete and **not** safe for use until all the required Add-ons you have purchased have been correctly assembled and installed in accordance with our instructions.

If you ever have any questions about the correct and safe installation of **any** ChildLife product, please contact us using the contact information on the cover of this manual.

These assembly instructions are to be used in conjunction with Manual 1 (Assembly Instructions, Maintenance Instructions, and Safety Information) of your Everest or Glacier play system.

Please be sure you read and understand recommendations for safe installation sites and safety during installation, as well as the U.S. Consumer Products Safety Commission's recommendations concerning the depth of various resilient surfacing materials.

If you do not have this, contact us using the contact information on the cover of this manual to obtain a free replacement copy.

Take the time NOW to read and understand Manual 1 (Assembly Instructions, Maintenance Instructions, and Safety Information) of your Everest or Glacier play system for very important information you need to know:

Important Information about Your Play System

Prepare for the Installation

Inventory your Boxes

Choose a Safe Installation Site

Installation Tips

Safety During Installation

Tools Required

Stepladder Safety

Hardware and Safety Nut Information

Packaging and Our Environment

Testing after Assembly and Installation

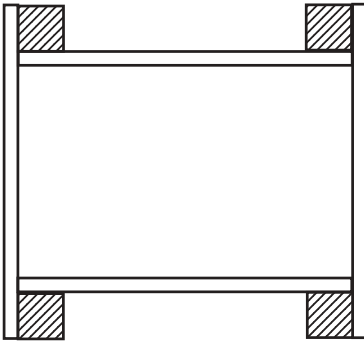
Regular Maintenance

Instructions for Safe Use

Disposal of the Equipment

Illustration 1

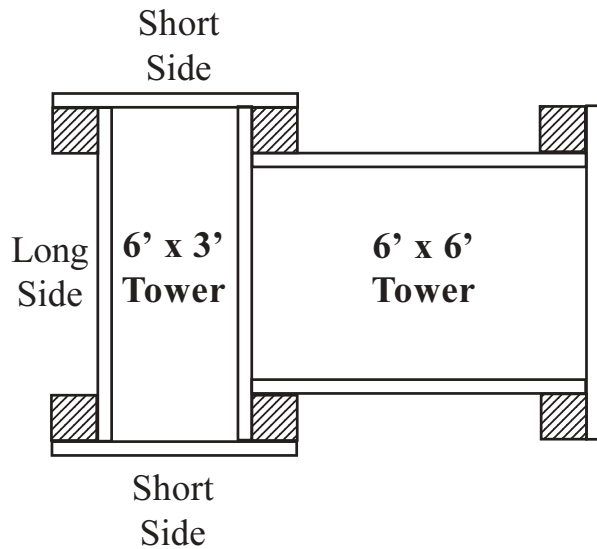
(Bird's eye view of the Glacier Tower)



The Open Safety Slide can be installed on *any one* of the four sides of the Glacier play system.

Illustration 2

(Bird's eye view of the Everest play system, formed by fastening the 6' x 3' Balcony Tower to the 6' x 6' Main Tower)



The 14' Zoom Slide can be installed on the Long Side, or either Short Side, of the 6' x 3' Tower on an Everest play system.

Step 1. INVENTORY YOUR BOXES

The 14' Zoom Slide is shipped in two boxes:

Box #S30 - Universal Mount

Box #S41 - 14' Zoom Slide Slide

The Universal Mount **must** already be installed into the play system before proceeding.

Step 2. DETERMINE WHERE YOU WILL INSTALL THE OPEN SAFETY SLIDE (See Illustrations 1 and 2)

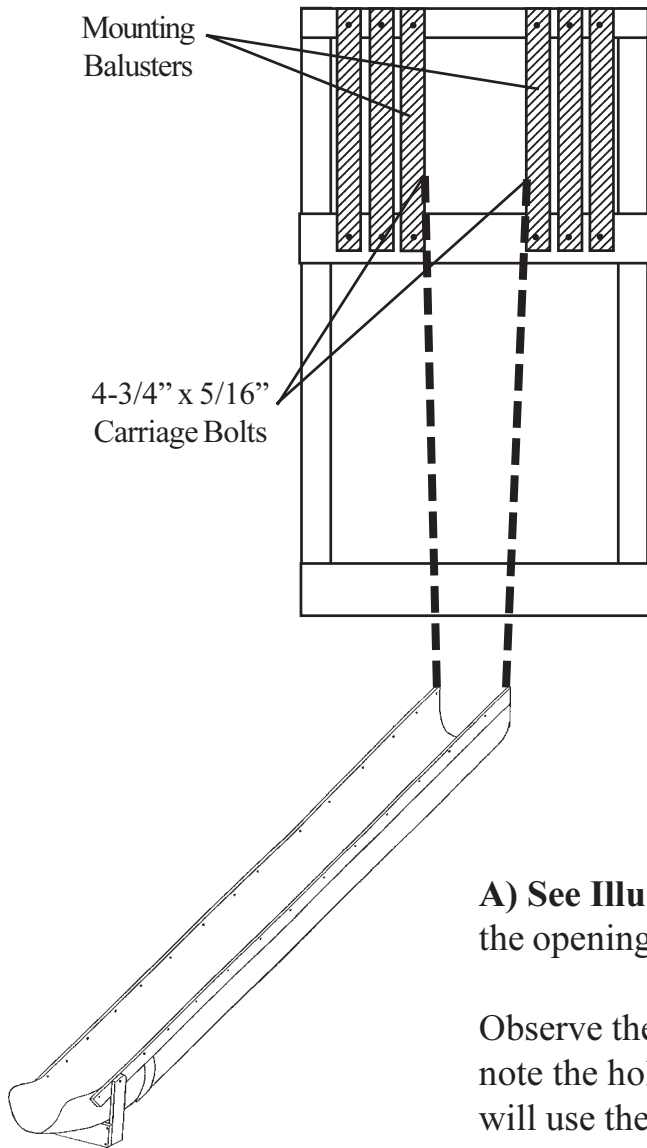
This product can **only** be installed as follows:

- A)** On any one of the four sides of a Glacier play system (see **Illustration 1**), and
- B)** On the Long Side or either Short Side of the 6x3 Tower (7' Deck height) of an Everest play system (see **Illustration 2**).

Now go to Step 3.

Illustration 3

(View of a Glacier play system or the Long Side of an Everest play system)



Step 3. FASTEN THE SLIDE BEDWAY TO THE MOUNTING BALUSTERS (See Illustration 3 or 4)

This step will require two people. Please read this step in its entirety and ensure you know what you are going to be doing before you proceed.



If you have a Glacier play system or if you are installing on the **Long Side** of the 6x3 Tower on an Everest play system, **go to Paragraph A below.**

If you are installing either **Short Side** of the 6x3 Tower on an Everest play system, **go to Paragraph B below.**

A) See Illustration 3. Observe the Universal Mount in the opening to which you are fastening the slide.

Observe the narrow edge of the Mounting Balusters and note the hole in each about 16" up from the bottom. You will use these holes to fasten the top of the Slide.

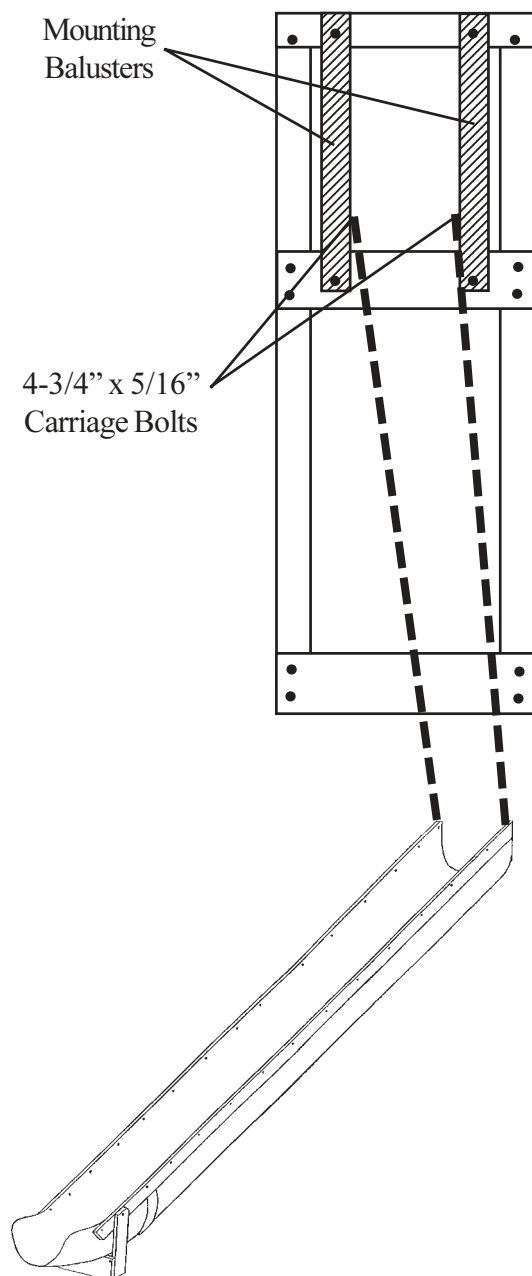
Lift the end of the Slide up and place it into position in the opening between the Balusters. Bolt the top of the Slide to the Mounting Balusters with two 4-3/4" x 5/16" Carriage Bolts and 5/16" Safety Nuts. The bolts pass first through the plastic of the Slide bedway, the green Slide Rail, the Mounting Baluster, and finally the Safety Nut.

The Safety Nuts must **not** be on the inside of the Slide. **Fasten securely.**

Skip to Step 4.

Illustration 4

(View of a Short Side of an Everest play system)



B) See Illustration 4. Observe the Balcony Side Mount in the opening to which you are fastening the Slide.

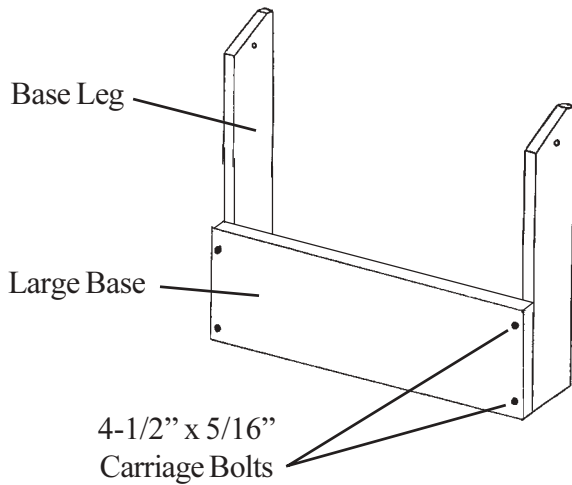
Observe the narrow edge of the Mounting Balusters and note the hole in each about 16" up from the bottom. You will use these holes to fasten the top of the Slide.

Lift the end of the Slide up and place it into position in the opening between the Balusters. Bolt the top of the Slide to the Mounting Balusters with two 4-3/4" x 5/16" Carriage Bolts and 5/16" Safety Nuts. The bolts pass first through the plastic of the Slide bedway, the green Slide Rail, the Mounting Baluster, and finally the Safety Nut.

The Safety Nuts must **not** be on the inside of the Slide. **Fasten securely.**

Now go to Step 4.

Illustration 5



Step 4. ASSEMBLE SLIDE BASE (See Illustration 5)

Bolt the Large Base to the two Base Legs. Use four 4-1/2" x 5/16" Carriage Bolts and 5/16" Safety Nuts. The bolts pass first through the Large Base, then into the Base Legs, and finally into the Safety Nuts.

Fasten hardware securely.

Now go to Step 5.

Step 5. FASTEN SLIDE BASE TO SLIDE BEDWAY (See Illustration 6)

Bolt the Slide Base to the bottom of the Slide bedway. Use two 2-3/4" x 5/16" Carriage Bolts and 5/16" Safety Nuts. The bolts pass first through the plastic of the Slide bedway, the green Slide Rail, the Base Leg, and finally into the Safety Nut.

The Safety Nut must NOT be on the inside of the Slide.

Fasten hardware securely.

Now go to Step 6.

Illustration 6

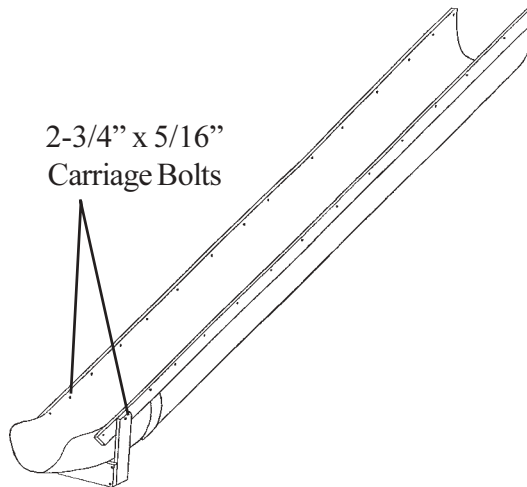
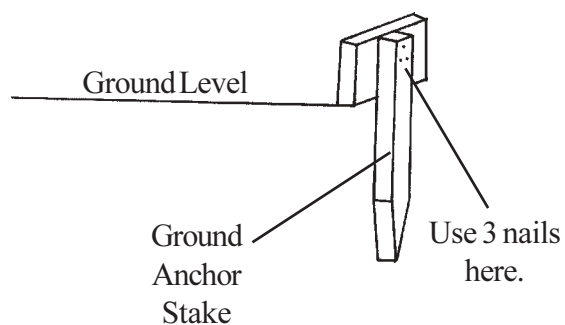


Illustration 7

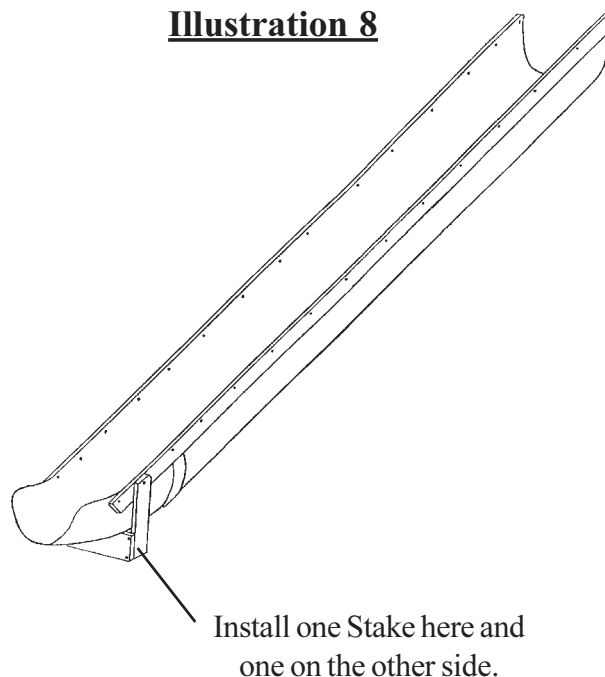


Step 6. STAKE THE BOTTOM OF THE SLIDE (See Illustrations 7 and 8)

Pound one 16" Ground Anchor Stake supplied into the ground with a heavy hammer on **each side of the Base**.

Drive the Stakes in until no more than 3"-4" are exposed. Nail each Stake to the Base using the nails provided. Use the pre-drilled holes and three nails for each Stake.

Illustration 8



Now go to Step 7.

Step 7. ASSEMBLE AND INSTALL ALL REQUIRED DECK-LEVEL ADD-ONS

Return to your Everest or Glacier play system manual and complete the installation of all required Deck-level Add-ons. Your play system is **not** ready to be used until all the required Deck-level add-ons have been installed.

Thank you!

NOTES