

ChildLife Inc.

rev 5/16/05

Escalade Sports®
P.O. Box 889
Evansville, IN 47706

TollFree (800) GO-SWING or (800) 467-9464
Fax (866) 873-3537
E-mail childlifecs@escaladesports.com
Home Page childlife.com

Tools Required:

- 1) Large Phillips-head Screwdriver
- 2) Small Phillips-head Screwdriver

BOX PACKING LIST

BOX 54 - DASHBOARD

REQ'D	ITEM
1	Dashboard Panel
1	Dashboard Top (green)
1	Hardware Bag

The hardware bag contains:

6	1" #8 Wood Screws
2	2-1/2" #12 Wood Screws

Installation Instructions are printed on the reverse of this page.
If the reverse of this page is blank, call ChildLife to request a free
copy of the Installation Instructions.

*Thank you for choosing a fine **ChildLife®** brand play system!*

INSTALLATION INSTRUCTIONS

Dashboard

(Box Packing List on Reverse)

- 1) Refer to the Assembly Instructions and Owner's Manual of your play system** for important information on Choosing a Safe Installation Site and Installation Tips. Also, read the important sections on Maintenance and Safe Use. If you do not have your manual, call ChildLife at (800) 467-9464 to request a free replacement.
- 2) Read these instructions thoroughly before you begin.** This will help ensure an easy and safe installation.
- 3) Inventory the parts.** The Dashboard comes in one box marked #54. Refer to the Box Packing List on the reverse.
- 4) Attach the Dashboard Top (green) to the play system.** See Illustration 1. Rest the Dashboard Top on top of a selected rung not more than 3' off the ground. Fasten the Dashboard Top to the green uprights of the play system with two 2-1/2" #12 Wood Screws supplied. Use the pre-drilled holes in the Dashboard Top.
- 5) Attach the Dashboard Panel.** See Illustration 2. Use six 1" #8 Wood Screws supplied to attach the Panel to the uprights as shown. Use the pre-drilled holes in the Panel.

Illustration 1.

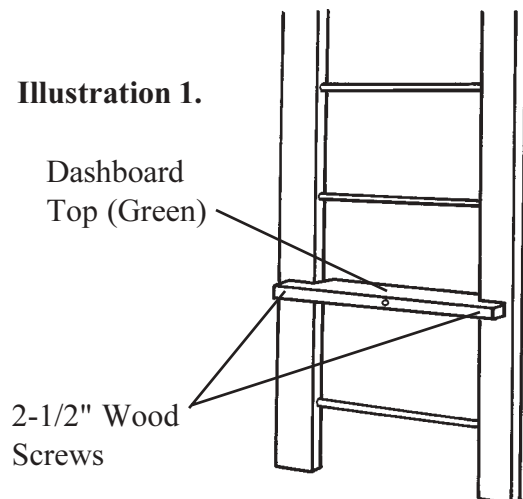


Illustration 2.

