

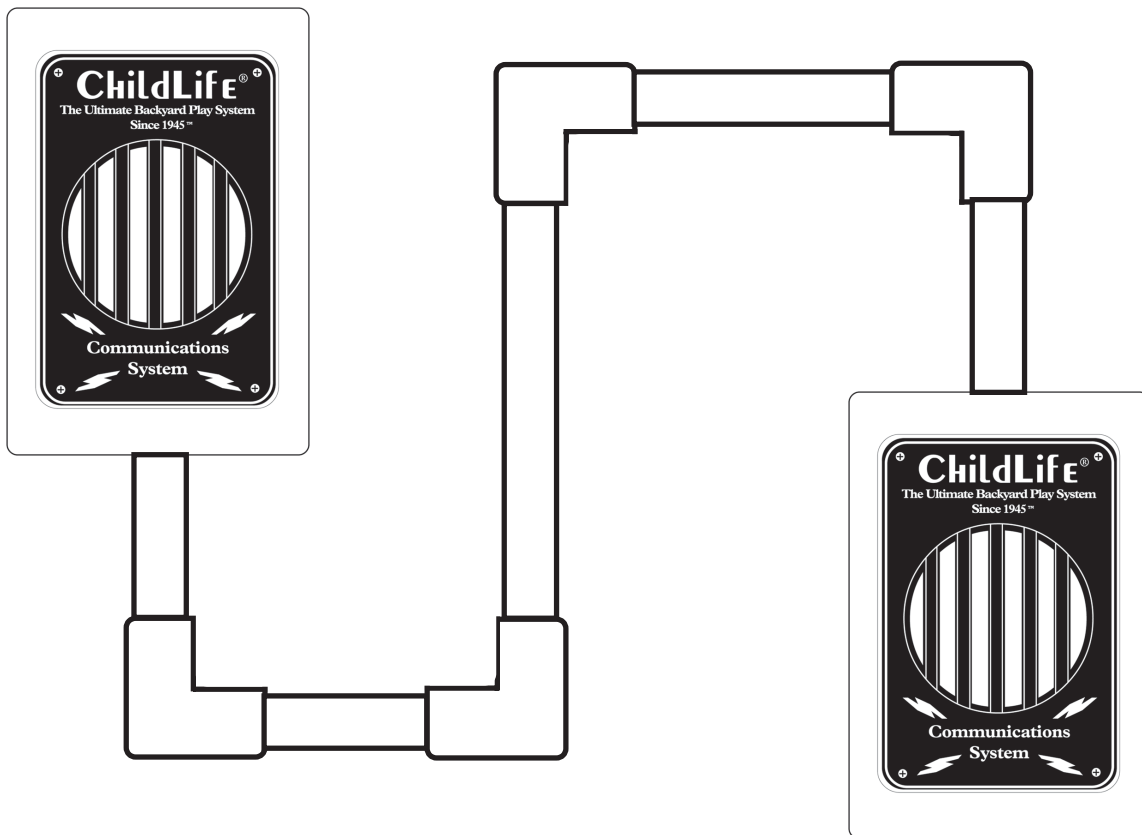
# ChildLife Inc.

Escalade Sports®  
P.O. Box 889  
Evansville, IN 47706

## Assembly Instructions and Owner's Manual

Toll Free (800) GO-SWING or (800) 467-9464  
Fax (866) 873-3537  
E-mail [childlifecs@escaladesports.com](mailto:childlifecs@escaladesports.com)  
Home Page [childlife.com](http://childlife.com)

## COMMUNICATIONS SYSTEM



**Congratulations and thank you for purchasing fine ChildLife® brand play equipment!**

- 1) Please read this instruction manual completely before starting assembly.
- 2) DO NOT allow any use of the equipment until it been completely assembled and installed in accordance with these instructions. Serious injury could result.
- 3) Please keep a copy of your order and our catalog with this manual for future reference in ordering replacement parts.

## Please note:

The Communications System is an add-on to your ChildLife® brand play system. These assembly instructions are to be used in conjunction with the Assembly Instructions and Owner's Manuals of the play system and treehouse you have purchased.

Refer to the Assembly Instructions and Owner's Manuals of the play system and treehouse you have purchased for very important information you need to know:

- **Choosing a Safe Installation Site**
- **Safety During Installation**
- **Tools Required**
- **Hardware and Safety Nut Information**
- **Maintenance Instructions**
- **Instructions for Safe Use**

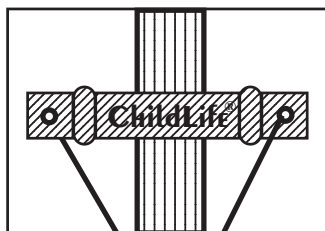
Please be sure you read and understand our recommendations for safe installation sites and safety during installation, as well as the US Consumer Products Safety Commission's recommendations concerning the depth of various resilient surfacing materials. If you do not have the Assembly Instructions and Owner's Manuals of the play system and/or treehouse you have purchased, which contain this important information, contact ChildLife Inc. at (800) 467-9464 or (508) 429-4639 for a free replacement copy.

### Step 1. READ ENTIRE INSTRUCTIONS FIRST

It will only take a moment of your time to read through this manual completely before you begin. A few minutes invested now may save you time and frustration later. Please read this **entire** manual **now**.

#### Illustration 1

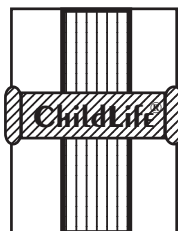
(Top view of Clamp fastening tube to WIDE edge of frame)



1/2" #6 pan  
head screws

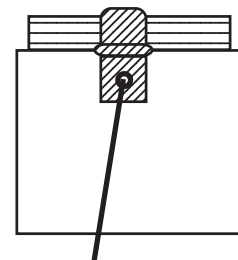
#### Illustration 2

(Top view of Clamp fastening tube to NARROW edge of frame)



#### Illustration 3

(Side view of Clamp fastening tube to NARROW edge of frame)



1/2" #6 pan  
head screw

## Step 2. IMPORTANT PRELIMINARY INFORMATION

On ChildLife Classic play systems, the Communications System fits only on Firechief's Treehouses® and Crow's Nest Treehouses®. On ChildLife Summit® play systems, the Communications System fits on all Denali™, Glacier™, and Everest™ play systems.

The Communications System is comprised of two wooden Receivers connected with a system of high quality polyethylene tubes, elbows, unions, and clamps. Tubes, elbows, and unions fit together with firm hand pressure only. No tools or glues are required. Simply insert tubing  $\frac{3}{4}$ " into the elbows and unions.

As you go along, use clamps to fasten the tubing to the play system frame securely. Clamp the tubing every 12", and before and after every union and elbow. Use two  $\frac{1}{2}$ " #6 Pan Head Screws for each clamp. Note that the clamps can fasten tubing to both wide and narrow edges of the play system frame. **See Illustrations 1, 2, and 3.**

When instructed, use the saw provided to cut the tubing to the lengths required for your application. Cut carefully. Ensure the cut is at right angles to the tubing. Always wear gloves and eye protection when using any saw. Contact the manufacturer of the saw if you have any safety concerns whatsoever. Use the sandpaper provided to smooth the cut ends and to remove any lingering plastic particles.



Before proceeding, you must know on what play system you are installing the Communications System:

If you are installing in a **Firechief's** Treehouse, go to Step 3 and do Steps 3, 4, 5, 12, and 13.

If you are installing in a **Crow's Nest** Treehouse, skip to Step 6 and do Steps 6, 7, 8, 12, and 13.

If you are installing in a **Denali** or **Glacier** or **Everest** play system, skip to Step 9 and do Steps 9, 10, 11, 12, and 13.

## Step 3. CUT TUBING TO LENGTH (FOR FIRECHIEF'S TREEHOUSES)

The Communications System is shipped in one box marked #56. Open this box and locate the three green pipes. Cut one pipe into three lengths:

Tube #1	35"
Tube #2	1-1/2"
Tube #5	15-1/2"

Cut another pipe into two lengths:

Tube #4	34-1/2"
Tube #6	25-1/2"

Cut the last pipe into one length:

Tube #3	26-1/2"
---------	---------

**Now go to Step 4.**

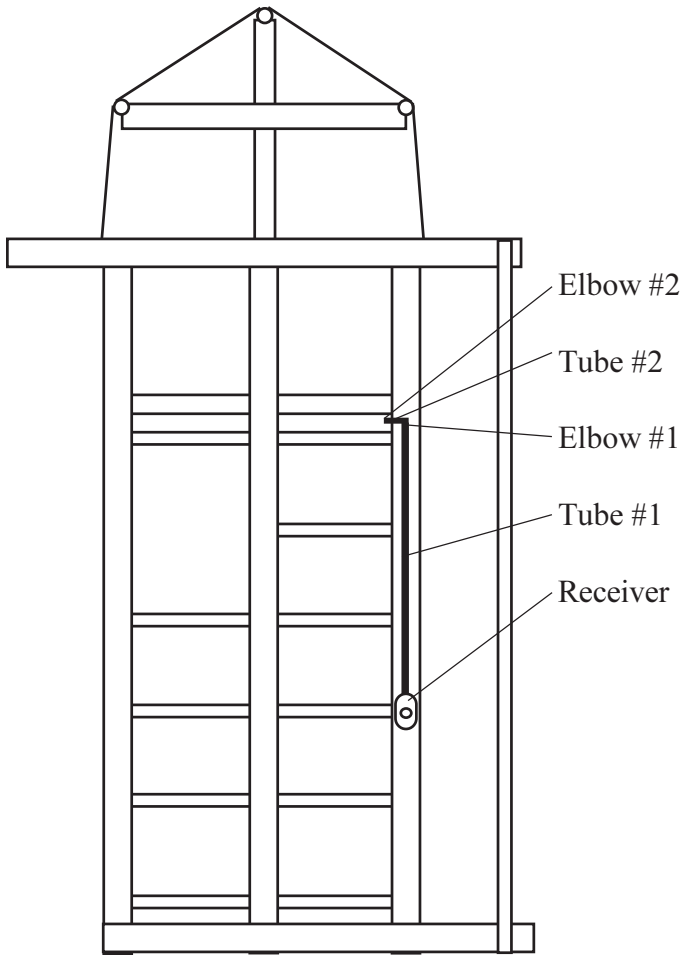
## Step 4. FASTEN RECEIVER TO PLAY SYSTEM (FOR FIRECHIEF'S TREEHOUSES)

Locate the Receiver that has the hole drilled in the top of it when the Receiver is held upright. Insert Tube #1 into the hole at the top of the Receiver. Insert 1-1/2" of Tube #1 into the Receiver for a firm fit.

**See Illustration 4.** Fasten the Receiver (with Tube #1 protruding from the top) to the Right Upright of End #2. The Receiver should be approximately centered on the third rung up from the bottom. Use two 3" #8 Flat Head Screws. The top of Tube #1 **must** end just below the bottom of the Firechief's Treehouse floor. Fasten hardware securely.

**Now got to Step 5.**

**Illustration 4**  
(View of End #2 of play system)



**Step 5. ASSEMBLE TUBES AND ELBOWS  
(FOR FIRECHIEF'S TREEHOUSES)**

- Press Elbow #1 on to the top of Tube #1 oriented so that it turns “left” as you face End #2. See **Illustration 4**.

- Insert Tube #2 in to Elbow #1. See **Illustration 4**.

- Press Elbow #2 on to Tube #2 oriented to continue the path under the Firechief’s Treehouse floor. See **Illustration 4**.

- Insert Tube #3 in to Elbow #2. Fasten Tube #3 to the underneath side of the Firechief’s Treehouse floor with Clamps as described in Step 1. Tube #3 must run parallel to the long edge of the floor. See **Illustration 5**.

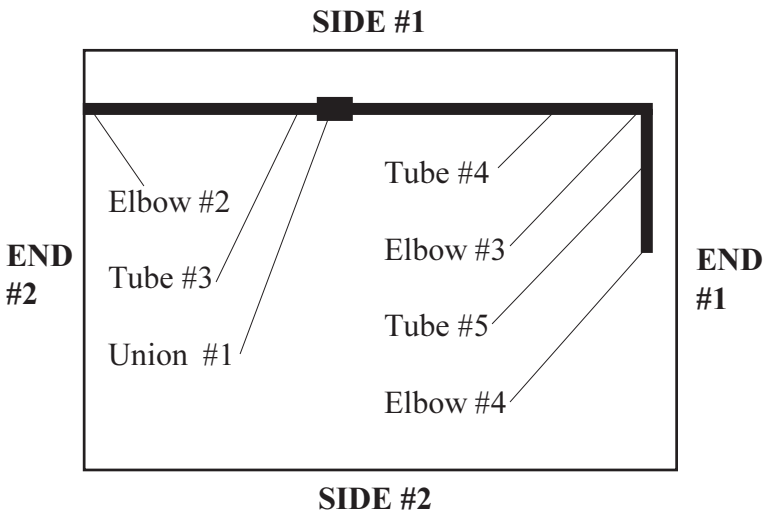
- Press Union #1 on to Tube #3. See **Illustration 5**.

- Insert Tube #4 in to Union #1. Fasten Tube #4 to the underneath side of the Firechief’s Treehouse floor with Clamps as described in Step 2. Tube #4 must run parallel to the long edge of the floor. It should end just before the end of the floor. See **Illustration 5**.

- Press Elbow #3 on to Tube #4 oriented to continue the path toward the Center Upright of End #1 of the play system frame. See **Illustration 5**.

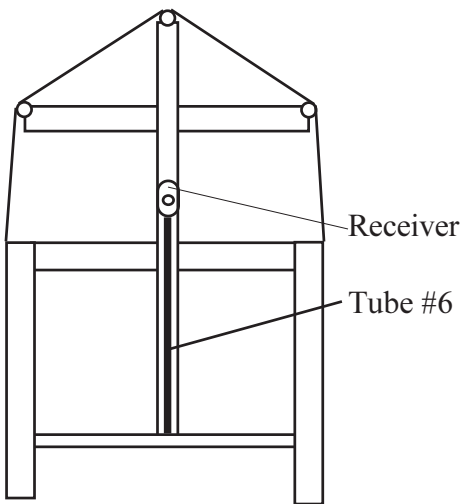
- Insert Tube #5 in to Elbow #3. Tube #5 must run parallel to the short edge of the floor. It should end just before the pre-drilled 1” hole in the floor. See **Illustration 5**.

**Illustration 5**  
(View of under side of Firechief's Treehouse Floor))



## **Illustration 6**

**(View from INSIDE Firechief's Treehouse showing Receiver fastened to the inside of the Ridge Pole Upright)**



**Note:** If you have an older Firechief's Treehouse, that does not have this hole, you must drill it yourself. It is easier to drill it from the above. Drill a 1" hole at the base of the Ridge Pole Upright on End #2.

- Press Elbow #4 on to Tube #5 oriented to continue the path up through the hole in the Treehouse floor. Fasten Tube #5 to the underneath side of the Firechief's Treehouse floor with Clamps as described in Step 2.

**See Illustration 5.**

- Insert Tube #6 in to Elbow #4. Tube #6 must go up through the hole in the Treehouse floor and will fasten to the Ridge Pole Upright. **See Illustrations 5 and 6.**

- Press the bottom of the second Receiver (with the hole in the bottom) 1-1/2" on to Tube #6. **See Illustration 6.**

- Fasten the Receiver to the Ridge Pole Upright with two 3" #8 Flat Head Screws. **See Illustration 6.**

**Now skip to Step 12.**

### **Step 6. CUT TUBING TO LENGTH (FOR CROW'S NEST TREEHOUSES)**

The Communications System is shipped in one box marked #56. Open this box and locate the three green pipes. Cut one pipe into three lengths:

Tube #1	52-1/2"
Tube #2	2-3/4"
Tube #3	4-3/4"

Cut another pipe into five lengths:

Tube #4	14"
Tube #6	21-1/2"
Tube #7	20-1/2"
Tube #8	1-1/2"
Tube #9	2-1/8"

Tube #5 needs to be 60" long, so you do not need to cut the third pipe; it is already 60" long.

**Now go to Step 7.**

### **Step 7. FASTEN RECEIVER TO PLAY SYSTEM (FOR CROW'S NEST TREEHOUSES)**

Locate the Receiver that has the hole drilled in the top of it when the Receiver is held upright. Insert one end of Tube #1 into the hole at the top of the Receiver. Insert 1-1/2" of Tube #1 into the Receiver for a firm fit.

Face the side of the Jungle Tower portion of the play system with the swings off to your right. Fasten the Receiver (with Tube #1 protruding from the top) to the broad side of the Upright furthest from the swings. See **Illustration 7**.

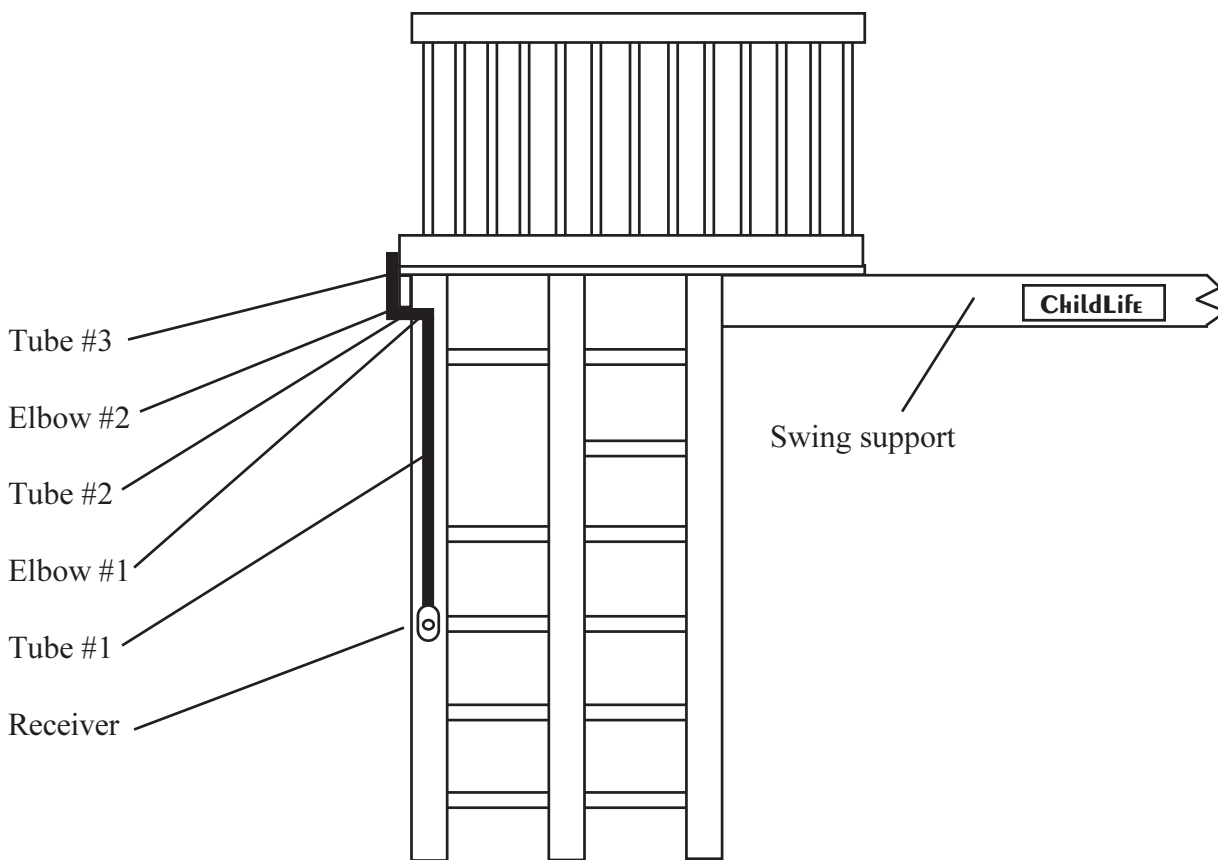
The Receiver should be approximately centered on the third rung up from the bottom, and the top of Tube #1 must end about 3-3/8" below the bottom of the Crow's Nest Treehouse floor. Fasten the Receiver securely to the Upright with two 3" #8 Flat Head Screws.

Now got to Step 8.

### **Step 8. ASSEMBLE TUBES AND ELBOWS (FOR CROW'S NEST TREEHOUSES)**

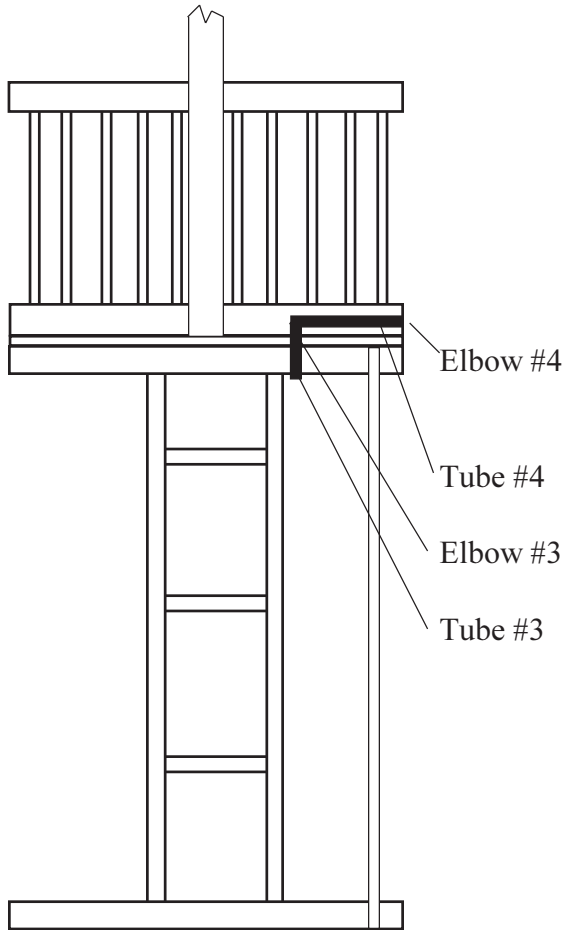
- Press Elbow #1 on to the top of Tube #1 so that it turns away from the swings.  
See **Illustration 7**.
- Insert Tube #2 in to Elbow #1.  
See **Illustration 7**.

**Illustration 7**  
(View of side of Crow's Nest Treehouse fastened on Jungle Tower or Superchief play system)



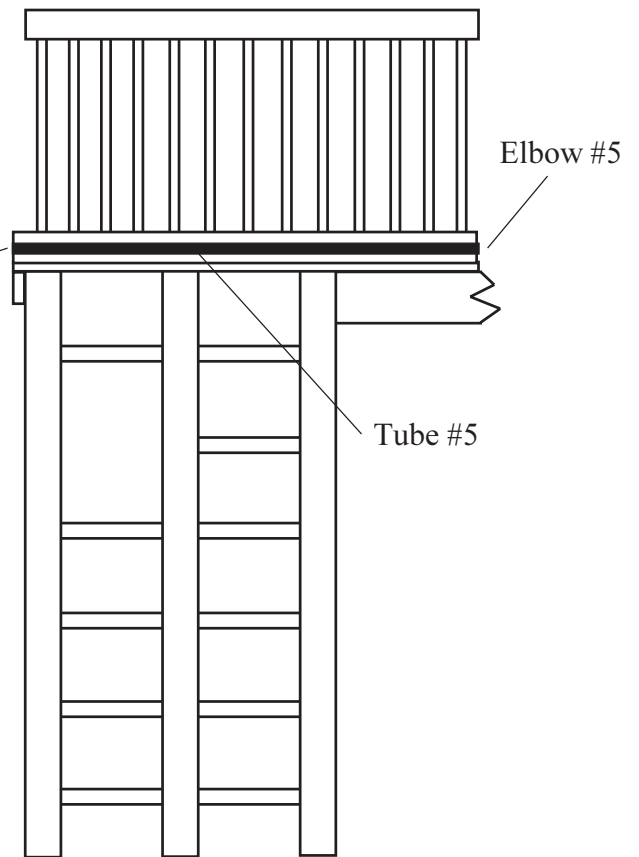
**Illustration 8**

(View [from the outside] of the END of a Crow's Nest Treehouse opposite the swings)



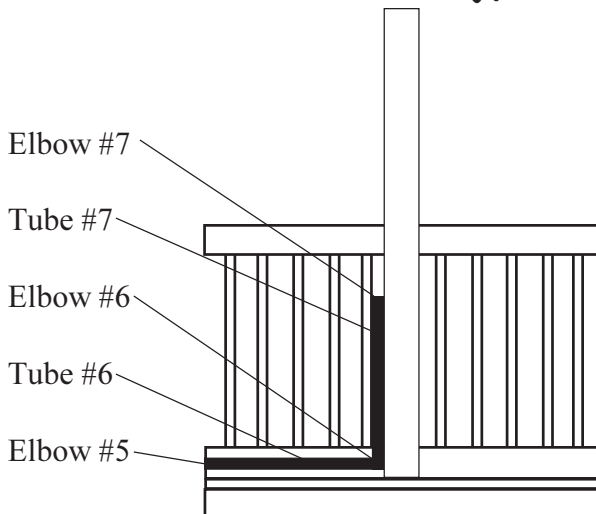
**Illustration 9**

(View [from the outside] of the SIDE of a Crow's Nest Treehouse)



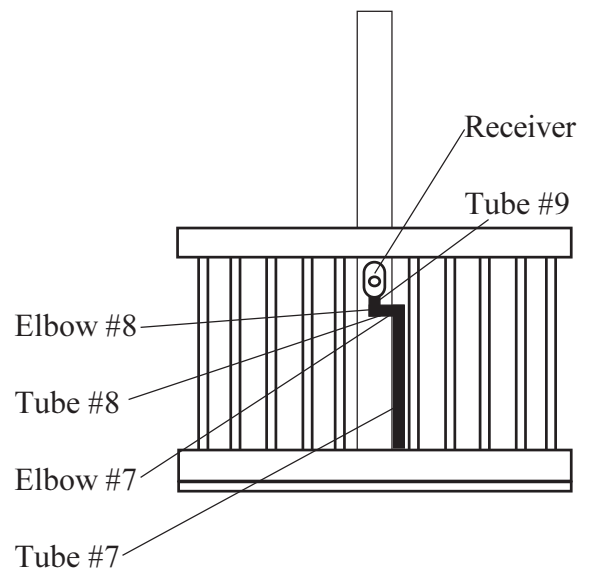
**Illustration 10**

(View [from the outside] of the END of a Crow's Nest Treehouse closest to the swings)



**Illustration 11**

(View [from the INSIDE] of the End of a Crow's Nest Treehouse closest to the swings)



- Press Elbow #2 on to Tube #2 so that it points up. **See Illustration 7.**
- Insert Tube #3 in to Elbow #2. **See Illustration 7.**
- Press Elbow #3 on to Tube #3 so that it points toward the end of the Top Crossarm. **See Illustration 8.**
- Insert Tube #4 in to Elbow #3. It should end approximately at the end of the Bottom End Rail of the Crow's Nest Treehouse. **See Illustration 8.**
- Press Elbow #4 on to Tube #4 so that it turns to run along the Bottom Side Rail of the Crow's Nest Treehouse. **See Illustration 8.**
- Insert Tube #5 in to Elbow #4. It should end approximately at the end of the Bottom Side Rail of the Crow's Nest Treehouse. **See Illustration 9.**
- Press Elbow #5 on to Tube #5 so that it turns to run along the Bottom End Rail of the Crow's Nest Treehouse. **See Illustration 9.**
- Insert Tube #6 in to Elbow #5. It should end approximately at the Ridge Pole Support. **See Illustration 10.**
- Press Elbow #6 on to Tube #6 so that it points up. **See Illustration 10.**
- Insert Tube #7 in to Elbow #6. It will end (number) inches below the Top End Rail of the Crow's Nest Treehouse. **See Illustration 10.**
- Press Elbow #7 on to Tube #7 so that it points toward the Ridge Pole Support. **See Illustration 10 and 11.**
- Insert Tube #8 in to Elbow #7. **See Illustration 11.**

- Press Elbow #8 on to Tube #8 so that it points up. Bend Tube #7 so that it leans in toward the inside of the Crow's Nest Treehouse and Elbow #7, Tube #8, and Elbow #8 are all on the inside of the Ridge Pole Support. **See Illustration 11.**
- Insert Tube #9 in to Elbow #8. It should run up the inside of the Ridge Pole Support and end about 4-1/2" from the bottom of the Top End Rail of the Crow's Nest Treehouse. **See Illustration 11.**
- Press the bottom of the second Receiver (with the hole in the bottom) on to Tube #9. **See Illustration 11.**
- Fasten the Receiver the Ridge Pole Support with two 3" #8 Flat Head Screws. The top of the Receiver should be just under the Top End Rail of the Crow's Nest Treehouse. **See Illustration 11.**

**Now skip to Step 12.**

### **Step 9. CUT TUBING TO LENGTH (FOR DENALI, GLACIER, AND EVEREST PLAY SYSTEMS)**

The Communications System is shipped in one box marked #56. Open this box and locate the three green pipes.

Cut one pipe into one length:

Tube #2      59-1/4"

Cut another pipe into four lengths:

Tube #1      26"

[**Note!** If you have a Glacier play system, you must cut Tube #1 to 43", **NOT** 26".]

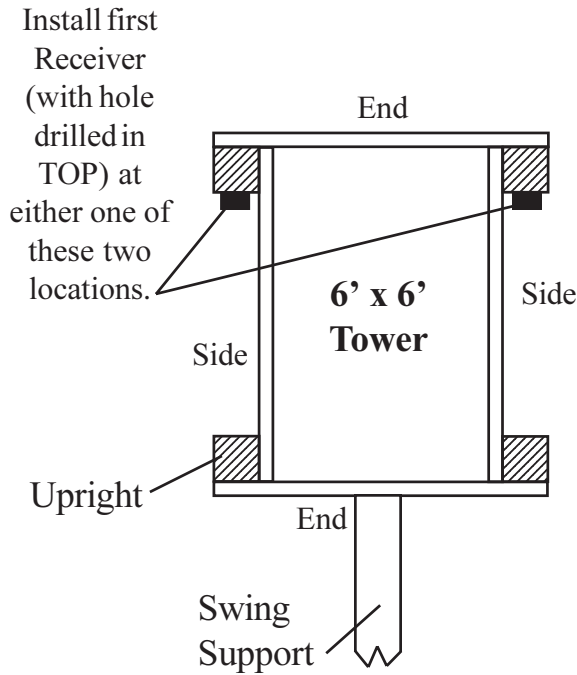
Tube #3      4-1/2"

Tube #4      1"

Tube #5      1"

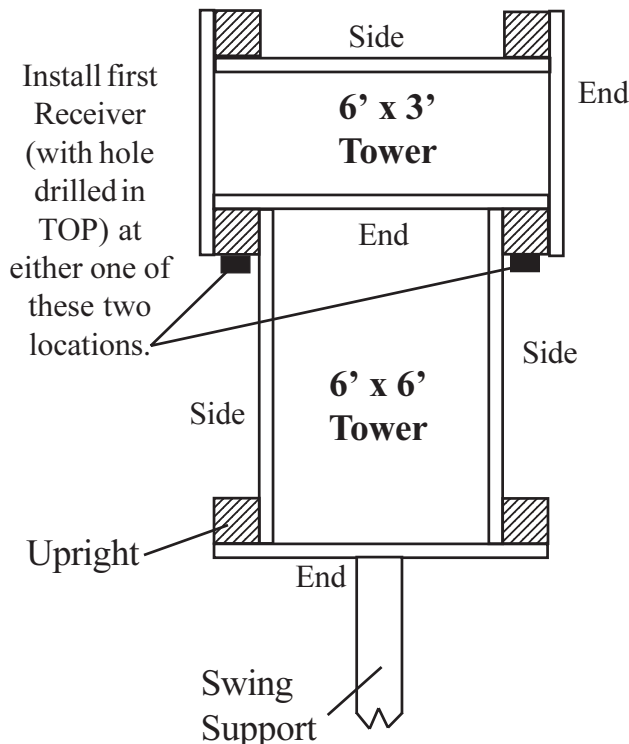
### **Illustration 12**

(Bird's eye view of a Denali or a Glacier)



### **Illustration 13**

(Bird's eye view of a Everest)



Cut the last pipe into two lengths:

Tube #6      24-3/4"

**Now got to Step 10.**

### **Step 10. FASTEN RECEIVER TO PLAY SYSTEM (See Illustration 12 or 13)**

Locate the Receiver that has the hole drilled in the top of it when the Receiver is held upright. Insert Tube #1 into the hole at the top of the Receiver. Insert 1-1/2" of Tube #1 into the Receiver for a firm fit.

If you have a **Denali** or a **Glacier**, refer to Illustration 12.

If you have an **Everest**, refer to Illustration 13.

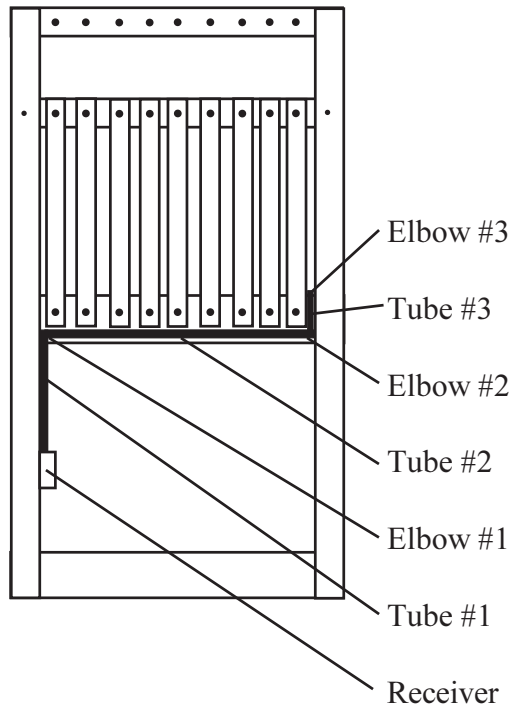
Fasten the Receiver (with Tube #1 protruding from the top) to either of the Uprights indicated in Illustration 12 or 13. Do **not** select a side of the tower that has an Alpine Climber.

The top of the Receiver should be approximately 36" up from the bottom of the Upright, and Tube #1 should end just below the bottom of the Balusters. Use two 3" #8 Flat Head Screws. Fasten hardware securely.

**Now go to Step 11.**

### **Illustration 14-A**

(View of the SIDE of a Denali)



### **Step 11. ASSEMBLE TUBES AND ELBOWS**

- Press Elbow #1 on to the top of Tube #1 oriented so that it turns "right" as you face the side of the 6' x 6' Tower.

See **Illustration 14-A** if you have a Denali, **14-B** if you have a Glacier play system, or **14-C** (on page 12) if you have an Everest play system.

- Insert Tube #2 in to Elbow #1. See Illustration 14. Tube #2 will run along the green Deck Support, just below the bottom of the Balusters. It will end just before the next Upright.

- Press Elbow #2 on to Tube #2 oriented so that it turns "up". See **Illustration 14-A, 14-B, or 14-C**.

- Insert Tube #3 in to Elbow #2. See **Illustration 14-A, 14-B, or 14-C**.

- Press Elbow #3 on to Tube #3 oriented so that it turns "back" on to the deck floor. It should be immediately adjacent to the Upright. See **Illustration 14-A, 14-B, or 14-C**.

- Insert Tube #4 in to Elbow #3.

See **Illustration 15-A** if you have a Denali, **15-B** if you have a Glacier play system, or **15-C** (on page 12) if you have an Everest play system.

- Press Elbow #4 on to Tube #4 oriented so that it turns to the "right" as you face the side of the 6x6 deck. See **Illustration 15-A, 15-B, or 15-C**.

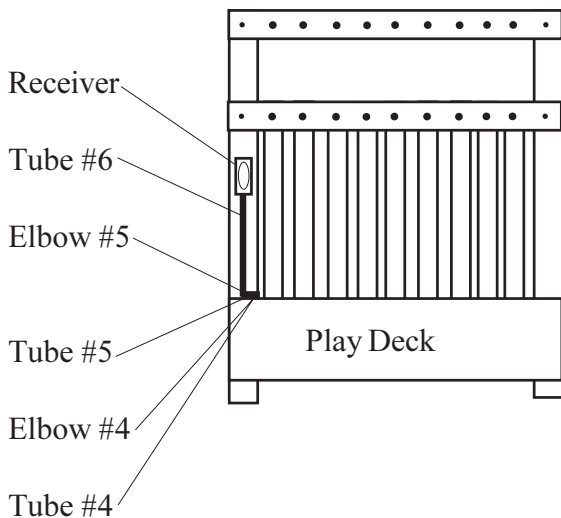
- Insert Tube #5 in to Elbow #4. See **Illustration 15-A, 15-B, or 15-C**.

- Press Elbow #5 on to Tube #5 oriented so that it turns "up". See **Illustration 15-A, 15-B, or 15-C**.

- Insert Tube #6 in to Elbow #5. See **Illustration 15-A, 15-B, or 15-C**.

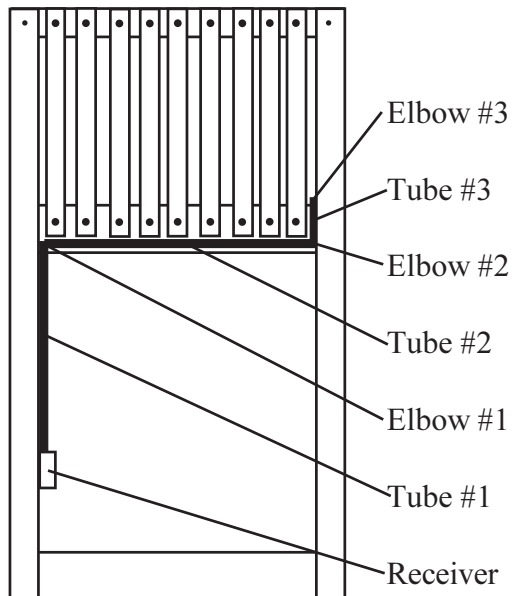
### **Illustration 15-A**

(View from the INSIDE of a Denali)



### **Illustration 14-B**

(View of the SIDE of a Glacier)



- Press the bottom of the second Receiver (with the hole in the bottom) 1-1/2" on to Tube #6. See **Illustration 15-A, 15-B, or 15-C.**

- Fasten the Receiver to the Upright with two 3" #8 Flat Head Screws. See **Illustration 15-A, 15-B, or 15-C.**

**Now got to Step 12.**

### **Step 12. FINAL INSPECTION**

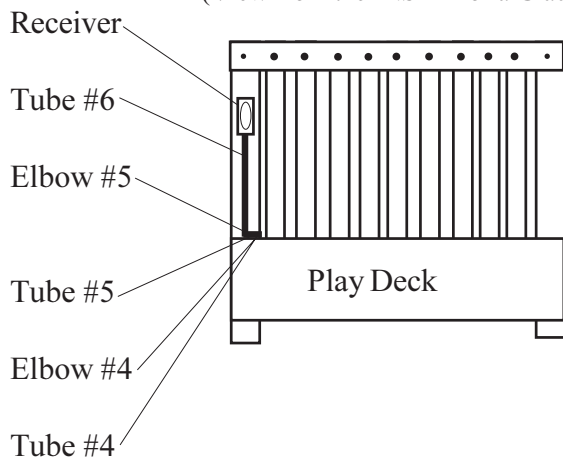
As instructed in Step 2, as you went along you should have used clamps to fasten the tubing to the play system frame securely. Clamp the tubing every 12", and before and after every union and elbow. Use two 1/2" #6 Pan Head Screws for each clamp. Note that the clamps can fasten tubing to both wide and narrow edges of the play system frame.

Ensure that all clamps are secure. Ensure that all screws have been installed fully so they are completely recessed and are not protruding in any way. If you have created a "burr" in a screw, file it away to eliminate scraping hazards.

**Now go to Step 13.**

### **Illustration 15-B**

(View from the INSIDE of a Glacier)



### **Step 13. SAFE USE AND MAINTENANCE**

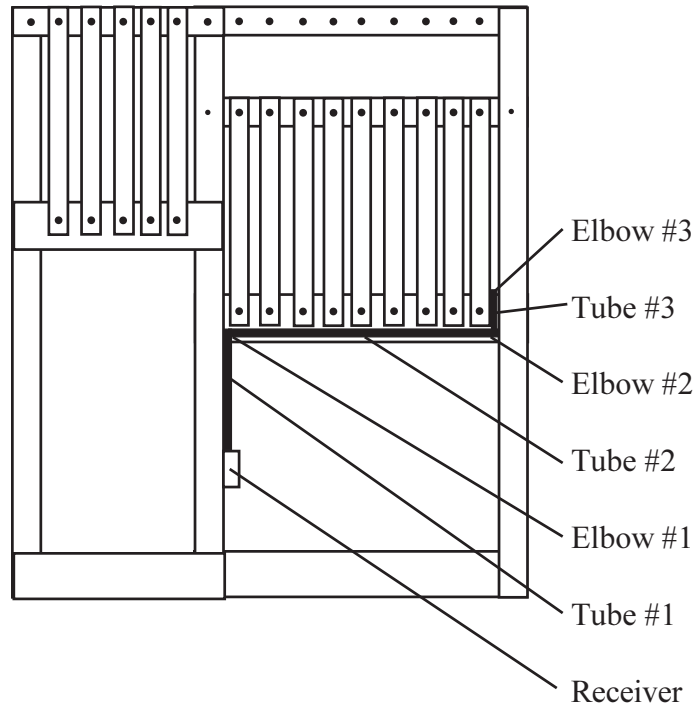
Always follow all the guidelines for safe use, disposal, and play system maintenance found in the Assembly Instructions and Owner's Manuals of the play system and treehouse you have purchased.

If you do not have the Assembly Instructions and Owner's Manuals of the play system and treehouse you have purchased, which contain this important information, contact ChildLife Inc. at (800) 462-4445 or (508) 429-4639 for a free replacement copy.

**Thank you!**

### **Illustration 14-C**

(View of the SIDE of a Everest)



### **Illustration 15-C**

(View from the INSIDE of an Everest)

