

## 25 YEAR LIMITED WARRANTY

First, please install and maintain your equipment as specified in the Assembly Instructions and Owner's Manual that accompany each product.

All products are warranted to the original owner to be free from defects in material and workmanship for a period of 2 years from purchase. We will repair or replace (at our option) any product with such defects within the 2-year warranty period at no charge and we'll pay the shipping, too! Installation of these parts is up to you.

We will repair or replace (at our option) any wooden parts that are structurally damaged by decay or insects during the 25-year warranty period for the original owner at no charge other than freight. Installation of these parts is up to you.

### HOW TO TAKE ADVANTAGE OF OUR WARRANTY

In the unlikely event that a problem arises with your equipment, please contact your point of purchase. You must submit 1) a photograph of your entire play system, 2) a photograph of the area(s) of concern, and 3) a dated proof of purchase.

### LIMITATION ON WARRANTY

Basically, all we ask is that you 1) periodically tighten the tents and hardware, 2) apply our touch-up paint (4 ounces included **free** with play systems!) if ever necessary, 3) apply our wood sealer on climbing rungs to help prevent mildewing, and 4) inspect and maintain any ground anchor stakes.

Slight cosmetic cracks, checks, and knots may become apparent as our natural wood product weathers. They are not a defect and are not covered under our warranty. This warranty does not cover damage from abuse, vandalism, normal wear and tear, sprinkler systems, or acts

of nature. Our products are designed for residential use only; any commercial use will void this warranty. Never modify the designs of our products; doing so will void this warranty.

### LIMITATION IN DURATION OF IMPLIED WARRANTIES

All implied warranties, including warranties of merchantability and fitness for a particular purpose, are hereby expressly limited in duration to one year after date of original purchase.

### LIMITATIONS OF INCIDENTAL OR CONSEQUENTIAL DAMAGES

We shall not be liable for any incidental or consequential damages resulting from a breach of any warranty contained herein. Some states or provinces do not allow limitations on how long an implied warranty lasts and/or the exclusion or limitation of incidental or consequential damages, so the above limitations and exclusions may not apply to you. This warranty gives you specific legal rights and you may also have other rights that vary with jurisdiction.



## ChildLife Inc.

Escalade Sports®  
P.O. Box 889

Evansville, IN 47706

Toll Free (800) GO-SWING or (800) 467-9464

Fax (866) 873-3537

E-mail childlifecs@escaladesports.com

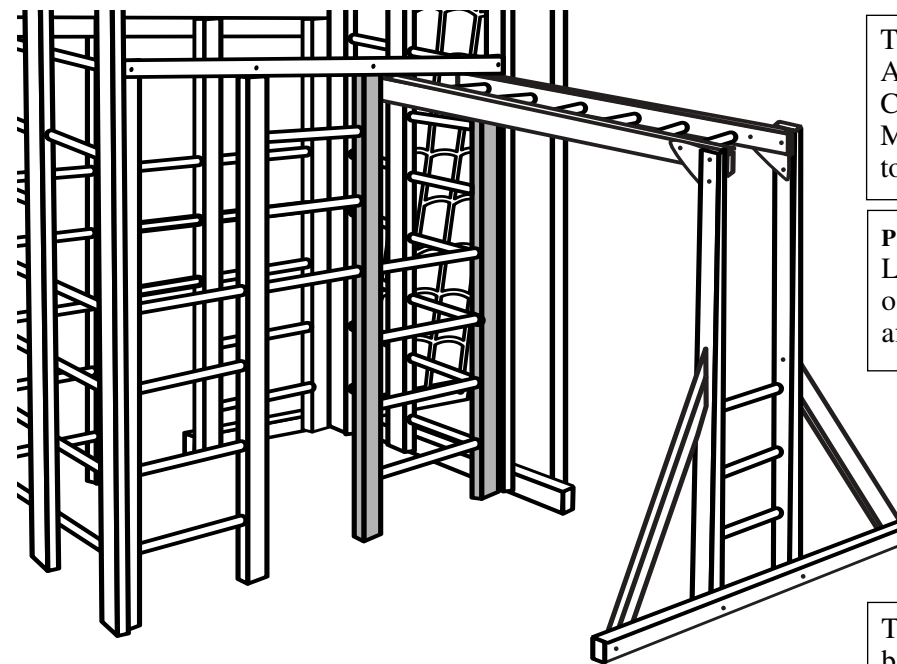
Home Page childlife.com

## Assembly Instructions

See Manual 1 of your play system for safety & maintenance information

**NOTE TO INSTALLER:** After you have assembled and installed this product, please give the customer the tools provided and this Manual.

## ATTACHING MONKEY BARS AND LINKING MONKEY BARS\*



These instructions can be used for Attaching Monkey Bars that attach to a ChildLife play system and Linking Monkey Bars that link two play systems together.

**PLEASE NOTE:** Attaching and Linking Monkey Bars can be installed only on play systems manufactured after April 1990.

This product is intended for use by children ages 4 and older, under responsible adult supervision at all times.

*Congratulations and thank you for purchasing fine ChildLife® brand play equipment!*

- 1 ChildLife's products are for residential use only. They are not intended for use in places of public assembly such as schools, parks, condominiums, churches and temples, and child care centers.
- 2 Please read this instruction manual completely before starting assembly.
- 3 **Do not** allow any use of the equipment until it has been assembled, installed, inspected, and tested in accordance with these instructions. **Serious injury could result.**
- 4 Please keep a copy of your order and our catalog with this Manual for future reference in ordering replacement parts.

**\*Stand-Alone Monkey Bars  
Use Assembly Instructions in Box #PC57C**

**PLEASE NOTE:** This product is an add-on to your ChildLife® play system. These assembly instructions are to be used in conjunction with **Manual 1** (Assembly Instructions, Maintenance Instructions, and Safety Information) of the play system you have purchased.

Please be sure you read and understand our recommendations for safe installation sites and safety during installation, as well as the US Consumer Products Safety Commission's recommendations concerning the depth of various resilient surfacing materials. If you do not have **Manual 1** of the play system you have purchased, which contains this important information, contact ChildLife or your point of purchase for a **free** replacement copy.

Refer to **Manual 1** of the play system you have purchased for very important information you need to know:

### **CHOOSE A SAFE INSTALLATION SITE**

#### **INSTALLATION TIPS information about:**

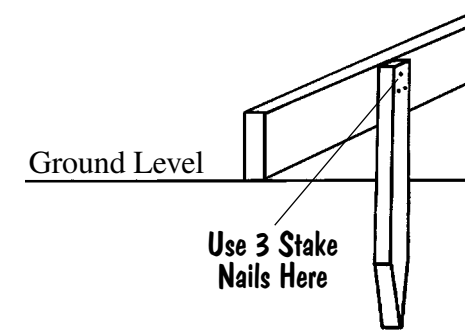
- A) SAFETY DURING INSTALLATION
- B) TOOLS REQUIRED
- C) HARDWARE
- D) SAFETY NUTS

### **MAINTENANCE INSTRUCTIONS**

### **INSTRUCTIONS FOR SAFE USE**

### **DISPOSAL INSTRUCTIONS**

**ILLUSTRATION 6**



### **Step 10. STAKE THE END LADDER (SEE ILLUSTRATIONS 3 & 6)**

Make sure the Base Piece is firmly on the ground and does not rock from side to side. Make sure the Top Ladder is perpendicular (at right angles) to the frame of the play system to which it is attached.

Using a heavy hammer, pound two 16" Ground Anchor Stakes into the ground with a heavy hammer at the locations indicated in **Illustration 3**. Position stakes approximately 10" from the end of a Base Piece to avoid cracking the Base Piece. Such cracks would not be covered under our limited warranty.

Drive the stakes in until no more than 3" - 4" are exposed above the ground and the top of the stake is flush with the top of the Base Piece. Nail each stake to the Base Piece using the pre-drilled holes in the stakes and the nails provided. Use three nails for each stake. **See Illustration 6.**

**Now go to Step 11.**

---

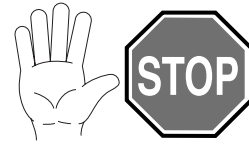
### **Step 11. FOLLOW INSTRUCTIONS FOR SAFE USE, MAINTENANCE, SURFACING, AND DISPOSAL**

Assembly is now complete!

Refer to **Manual 1** of the play system you have purchased for very important information regarding safe use, maintenance, resilient surfacing, and proper disposal. If you do not have this important document, contact ChildLife or your point of purchase for a free replacement copy.

***THANK YOU!***

then through the Gym Side Upright, and finally through the Top Ladder Rail of the Monkey Bars. Fasten securely with a 1/4" Safety Nut. Bolt the other Top Ladder Rail to the Gym Side Upright with one 4-1/2" x 1/4" Carriage Bolt and 1/4" Safety Nut. Fasten securely.



If you are assembling **Attaching Monkey Bars**, skip to **Step 10**.

If you are assembling **Linking Monkey Bars** and need to fasten the other end of the Top Ladder to a **Fireman's Gym, Firechief, or Fireman's Gym end of a Superchief**, repeat **Step 8**.

If you are assembling **Linking Monkey Bars** and need to fasten the other end of the Top Ladder to a **Jungle Tower or Jungle Tower end of a Superchief**, go to **Step 9**.

### Step 9. FASTEN THE TOP LADDER TO THE SIDE OF A JUNGLE TOWER, OR THE JUNGLE TOWER END OF A SUPERCHIEF (SEE ILLUSTRATION 5)

#### ILLUSTRATION 5

4-1/2" x 1/4" Carriage Bolts

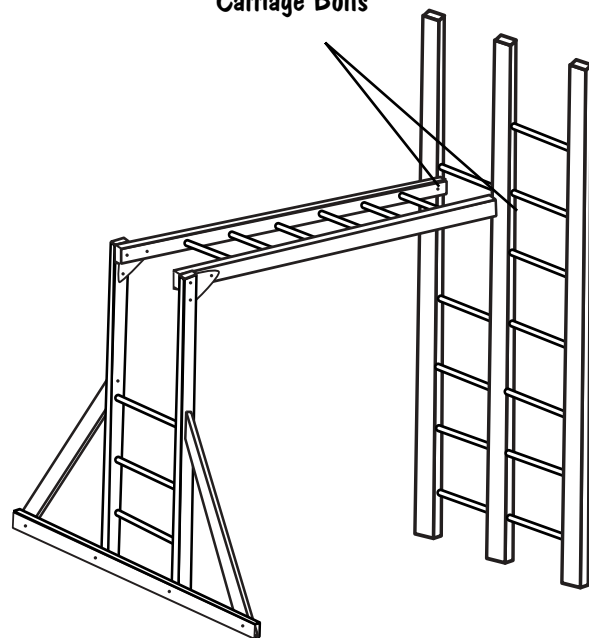
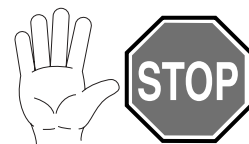


Illustration shows Attaching Monkey Bars.

#### HARDWARE REQUIRED FOR THIS STEP

- Two 4-1/2" x 1/4" Carriage Bolt
- Two 1/4" Safety Nuts

Bolt the ends of the Top Ladder to the tower Uprights using the pre-drilled holes in the Uprights that are 67" above the ground. Bolt securely with two 4-1/2" x 1/4" Carriage Bolts and 1/4" Safety Nuts. Pass the bolts first through the tower Uprights and then through the Top Ladder rails of the Monkey Bars. Fasten securely.



If you are assembling **Attaching Monkey Bars**, go to **Step 10**.

If you are assembling **Linking Monkey Bars** and need to fasten the other end of the Top Ladder to a **Jungle Tower or Jungle Tower end of a Superchief**, repeat **Step 9**.

### Step 1. IMPORTANT INFORMATION

This product is for residential use only. It is not intended for use in places of public assembly such as schools, churches, temples, child-care centers, or parks. Use in public spaces may be unsafe; it will also void our warranty.

### Step 2. PREPARE FOR THE INSTALLATION

Read these instructions and all related guidelines and suggestions thoroughly before you begin. This will help ensure an easy and safe installation.

Save this Instruction Manual in the event you need to contact ChildLife Inc.

Before installing your new Monkey Bars, make sure that your play system has been completely assembled, installed, and tested in accordance with the relevant instruction manual that came with your play system.

### Step 3. INVENTORY THE BOXES

Attaching Monkey Bars attach to one play system while Linking Monkey Bars link two play systems together. Ensure you have the right box for your configuration:

Attaching Monkey Bars	Box #53
Linking Monkey Bars	Box #53B

### Step 4. DETERMINE WHERE THE MONKEY BARS WILL FASTEN TO THE PLAY SYSTEM(S)

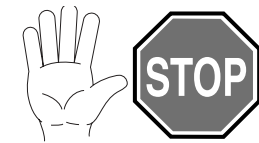
The locations from which you may choose depend on which play system model(s) you have purchased:

**Jungle Tower** play systems: May fasten to either side (not the end) of the tower. Must fasten between the Uprights that are furthest from the swings.

**Fireman's Gym** play systems: May fasten to either side (not the end) of the Fireman's Gym. There are two openings on each side from which you may choose.

**Firechief** play systems: May fasten to either side (not the end) of the Firechief. Choose from the openings furthest from the swings.

**Superchief** play systems: May fasten to either side (not the end) of either tower on the Superchief. Choose from the openings furthest from the swings.

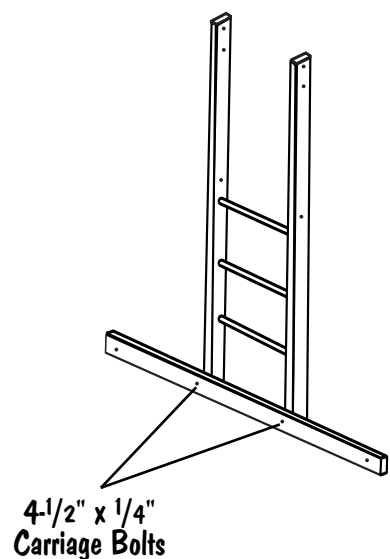


If you are assembling **Attaching Monkey Bars**, go to **Step 5**.

If you are assembling **Linking Monkey Bars**, and will attach an end to a **Fireman's Gym, Firechief, or Fireman's Gym end of a Superchief**, skip to **Step 8**.

If you are assembling **Linking Monkey Bars**, and will attach an end to a **Jungle Tower or Jungle Tower end of a Superchief**, skip to **Step 9**.

**ILLUSTRATION 1**



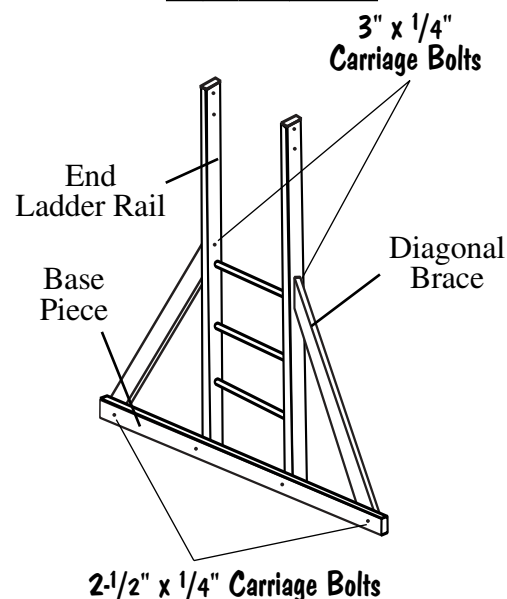
**Step 5. ATTACH THE BASE PIECE TO THE END LADDER (SEE ILLUSTRATION 1)**

- HARDWARE REQUIRED FOR THIS STEP**
- Two 4-1/2" x 1/4" Carriage Bolts
  - Two 1/4" Safety Nuts

Locate the End Ladder, which has three climbing rungs, and the 59" long Base Piece. Bolt the Base Piece to the bottom of the End Ladder using two 4-1/2" x 1/4" Carriage Bolts and 1/4" Safety Nuts. For a neat appearance, the bolts travel first through the Base Piece, then through the End Ladder rails. Fasten Safety Nuts securely.

Now go to Step 6.

**ILLUSTRATION 2**



**Step 6. ATTACH THE DIAGONAL BRACES TO THE END LADDER AND BASE PIECE (SEE ILLUSTRATION 2)**

- HARDWARE REQUIRED FOR THIS STEP**
- Two 2-1/2" x 1/4" Carriage Bolts
  - Two 3" x 1/4" Carriage Bolts
  - Four 1/4" Safety Nuts

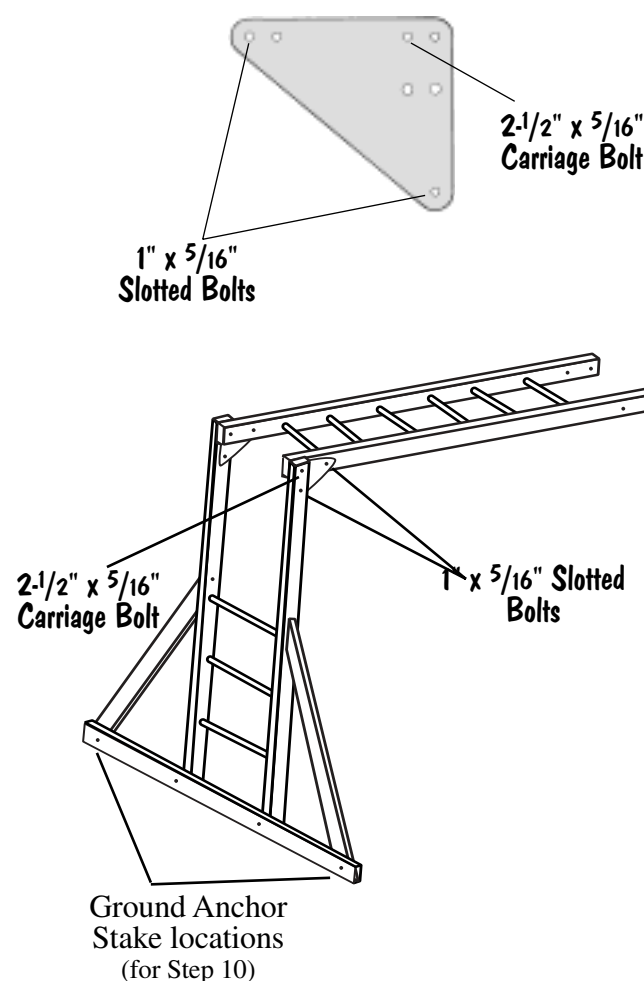
Locate the two 47" long Diagonal Braces and bolt them to the Base Piece, as shown in **Illustration 2**. Use two 2-1/2" x 1/4" Carriage Bolts and 1/4" Safety Nuts. Again, for a neat appearance, the bolts travel first through the Base Piece, then through the Diagonal Braces. Leave the Safety Nuts somewhat loose at this time.

Now bolt the top of the Diagonal Braces to the End Ladder rails using 3" x 1/4" Carriage Bolts and 1/4" Safety Nuts. The bolts travel first through the Diagonal Braces, then through the End Ladder rails. Fasten both bolts securely. Now go back and securely tighten the Safety Nuts at the bottom of the Diagonal Braces.

Now go to Step 7.

**ILLUSTRATION 3**

NOTE: Use **only** the holes indicated!

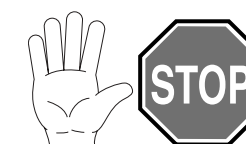


**Step 7. ATTACH THE TOP LADDER TO THE END LADDER (SEE ILLUSTRATION 3)**

- HARDWARE REQUIRED FOR THIS STEP**
- Two 2-1/2" x 5/16" Carriage Bolts
  - Four 1" x 5/16" Slotted Bolts
  - Six 5/16" Safety Nuts

Find the two triangular metal brackets in an envelope taped to the inside of Box #53. Bolt the Top Ladder to the End Ladder. The brackets must be "sandwiched" between the End Ladder rails and the Top Ladder rails. For each metal bracket, use one 2-1/2" x 5/16" Carriage Bolt and two 1" x 5/16" Slotted Bolts as indicated. Fasten all bolts securely with 5/16" Safety Nuts.

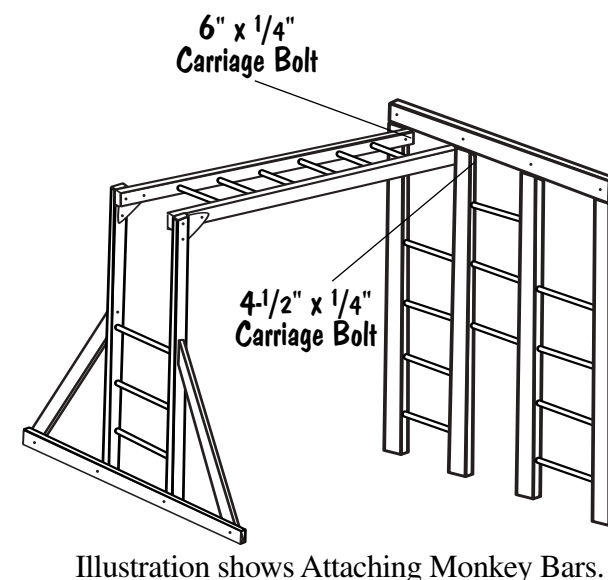
On the metal brackets, be sure to use only the holes indicated in **Illustration 3**.



If you are fastening **Attaching Monkey Bars** to the side of a **Fireman's Gym, Firechief, or the Fireman's Gym end of a Superchief**, go to Step 8.

If you are fastening **Attaching Monkey Bars** to the side of a **Jungle Tower or the Jungle Tower end of a Superchief**, skip to Step 9.

**ILLUSTRATION 4**



**Step 8. FASTEN THE TOP LADDER TO THE SIDE OF A FIREMAN'S GYM, FIRECHIEF, OR THE FIREMAN'S GYM END OF A SUPERCHIEF (SEE ILLUSTRATION 4)**

- HARDWARE REQUIRED FOR THIS STEP**
- One 6" x 1/4" Carriage Bolt
  - One 4-1/2" x 1/4" Carriage Bolt
  - Two 1/4" Safety Nuts

Remove the 4-1/2" Carriage Bolt that holds the corner of the gym ends and sides together at the point 67" above the ground. Replace this bolt with a 6" x 1/4" Carriage Bolt. The bolt travels first through the Gym End Upright,