

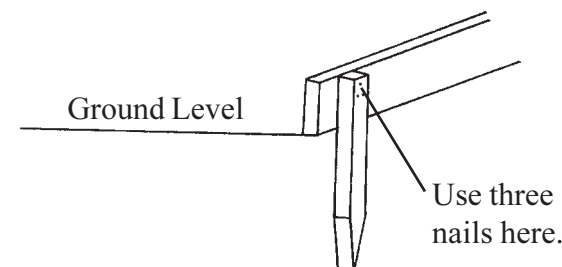
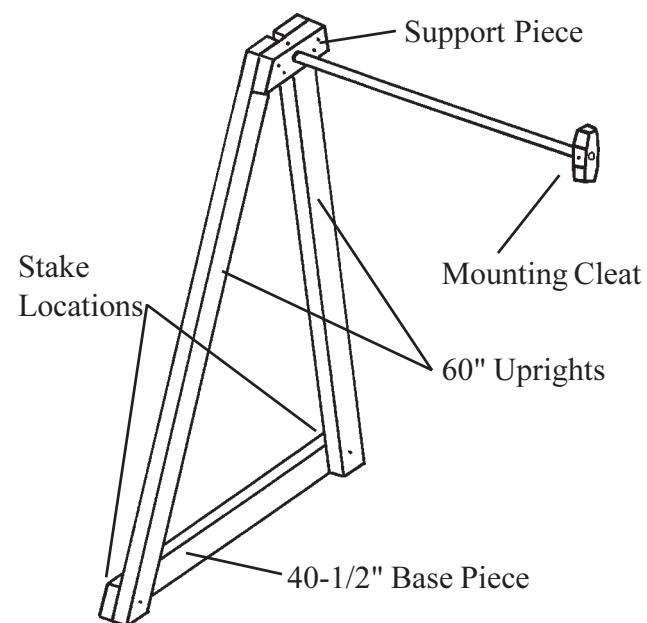
4) **Attach the Base Piece to the Uprights.** See illustration below. Use two 2-1/2" x 1/4" Carriage Bolts to attach the ends of the 60" Uprights to the ends of the 40-1/2" Base Piece. The bolts travel first through the Base Piece, then through the Uprights. Fasten loosely with 1/4" Safety Nuts.

5) **Attach the Support Piece to the Uprights.** Attach the Support Piece to the Uprights on the opposite side of the Base Piece. Use four 2-1/2" x 1/4" Carriage Bolts and fasten securely with 1/4" Safety Nuts. **Make sure** the top of the Support Piece is **flush** with the top of the Uprights. Now go back and securely tighten the Safety Nuts you left loose in Step 4.

6) **Attach the Hardwood Bar to the Support Piece.** Remove the 1-3/4" x 1/4" Carriage Bolt and 1/4" Safety nut from the Support Piece. Insert the end of the Maple Bar into the Support Piece, rotate until the holes line up, and re-install the Carriage Bolt. Fasten securely with the 1/4" Safety Nut.

7) **Attach the Chin-Up Bar to the Play System.** Select an Upright where the Chin-Up Bar will not interfere with other play activities. No portions of the Chin-Up bar should extend into the swing area. Make sure the Maple Bar is level and the Base Piece is level and firmly in contact with the ground. Screw the Mounting Cleat to the Upright using two 2-1/2" lag screws supplied. Tap the lag screw with a hammer to get it started into the wood. Then tighten securely with a wrench.

8) **Stake the Chin-Up Bar.** Stake the ends of the OUTSIDE of the Base Piece to the ground with the 16" Ground Anchor Stakes supplied. Pound the stakes into the ground until they are flush with the top of the Base Piece. Nail the stakes to the Base Piece using the nails supplied.



ChildLife Inc.

rev 5/16/05

Escalade Sports®
P.O. Box 889
Evansville, IN 47706

TollFree (800) GO-SWING or (800) 467-9464
Fax (866) 873-3537
E-mail childlifecs@escaladesports.com
HomePage childlife.com

Tools Required:

- 1) Hammer
- 2) Adjustable Wrench

BOX PACKING LIST BOX 52 - CHIN-UP BAR

REQ'D	ITEM
2	60" 2x4 Uprights
1	40-1/2" Base Piece
1	31" Hardwood Bar with Support Piece
1	Mounting Cleat
2	16" Ground Anchor Stakes
1	Hardware Bag marked CA2052

INSTALLATION INSTRUCTIONS

1) **Refer to your play system Owner's Manual** for important information on Choosing a Safe Installation Site and Installation Tips, including guidance on using ChildLife's recessed Safety Nuts. Also, read the important sections on Maintenance and Safe Use. If you do not have your manual, call ChildLife at (800) 467-9464 to request a free replacement.

2) **Read these instructions thoroughly before you begin.** This will help ensure an easy and safe installation.

3) **Inventory the parts.** The Chin-Up Bar comes in one box marked #52. Refer to the Box Packing List on the reverse of this page.

Instructions continue on the reverse of this page. If the reverse is blank, call ChildLife immediately to request a free copy of the installation Instructions.