

OWNER'S
MANUAL

MODEL NO.
T8012

**READ
INSTRUCTIONS
CAREFULLY!**

TABLE TENNIS CONVERSION TOP FOR POOL TABLES

WARNING

DO NOT SIT, STAND OR LEAN HEAVILY ON TOPS! THIS UNIT IS DESIGNED TO BE LARGER THAN POOL TABLE TOP. THEREFORE PORTIONS OF THIS UNIT WILL NOT BE SUPPORTED AT THE OUTER EDGES. DO NOT USE THIS UNIT ON POOL TABLES LESS THAN 80 INCHES LONG OR 44 INCHES WIDE.

Thank you for buying our product. We try hard to insure that our products are of high quality and free of problems such as manufacturing defects or missing parts. If you have any problems with your new product, please call us at:

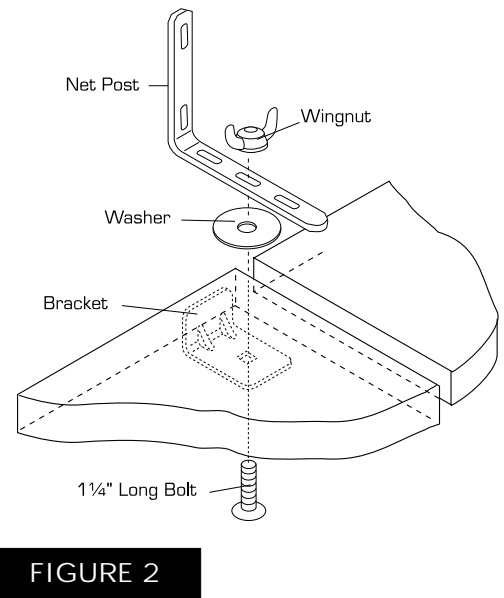
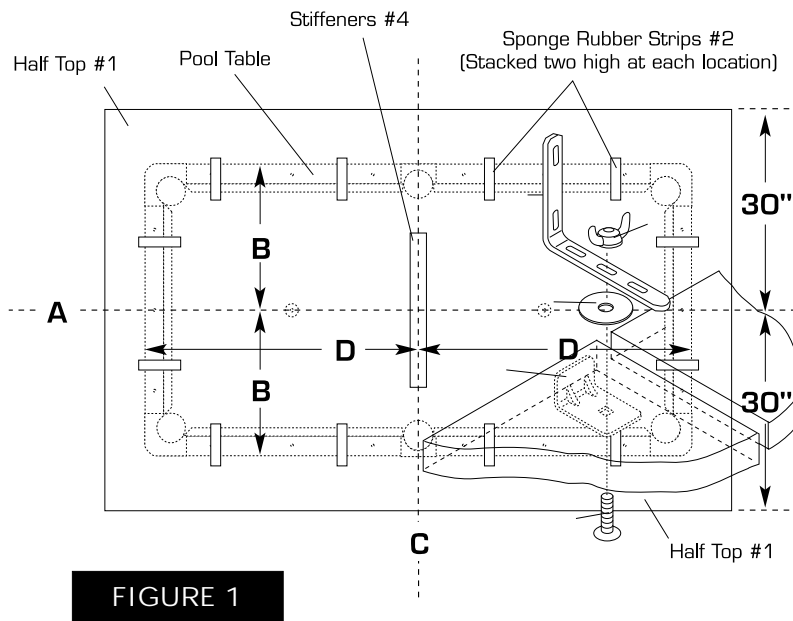
TOLL FREE 1-800-426-1421
(This is a consumer number only)

Please be sure to read the Limited Warranty information on the other side of this sheet before calling. Also be sure to have this Owner's Manual sheet with you when you call.

Or write us at:
CUSTOMER SERVICE DEPARTMENT
P.O. Box 889
Evansville, IN 47706

Please provide model number and part numbers when you call or write. These numbers can be found on the product or on the Owner's Manual.

You will need a measuring tape, a pencil and masking tape to install.



INSTALLATION

1. Remove table tennis conversion half tops #1 from carton and place them upside down on the carton or carpeted floor. Put ends with stiffeners #4 together. (See Figure 1)
2. Determine the placement of sponge rubber strips #2 on the bottom of the half tops #1 as follows: (use Figure 1)
 - a. Mark center line A along the length of conversion top. Top is 60 inches wide, so center line A is 30 inches in from either side.
 - b. Measure the width of your pool table.
 - c. Divide the width of you pool table in half and mark the bottom of the conversion top this amount (dimension B). Measure from center line A out toward both sides. These lines indicate the sides of your pool table. (For example, if your pool table measures 44 inches across, dimension B will be 22 inches.)
 - d. Divide the width of your pool table in half and mark the bottom of the conversion top this amount (dimension D). Measure from the center line C (where the two top halves #1 touch) out toward both ends. These lines indicate the ends of your pool table.
 - e. Temporarily tape sponge rubber strips #2 to the bottom surface of the conversion top. Space them evenly apart as shown above. (Do not peel backing off strips yet. First check for correct placement. See next step.)

3. Set one half top #1 on your pool table to check for correct placement of sponge rubber strips #2.
 - If correctly placed, remove the tops from your pool table, peel backing from sponge rubber strips #2 and applying them firmly to back of conversion tops. Apply two sponge rubber strips #2 at each location, stacking them one on top of another. Put tops back on pool table.
 - If incorrectly placed, mark the correct position on bottom of conversion top, remove tops from table and apply strips. Set both half tops back on pool table.
4. Install net posts and brackets to conversion tops as shown in Figure 2.

MAINTENANCE

- We do not recommend the use of wax on this top. Wax tends to make the top excessively shiny.
- To clean, use a warm damp cloth and WIPE GENTLY! DO NOT WIPE EXCESSIVELY! DO NOT USE DETERGENTS OR EXCESSIVE AMOUNTS OF WATER!
- NOTE: Changing weather conditions may cause a slight warping in the playing surface of the table. This will not affect playing conditions. Playing surface will return to its original condition as the weather stabilizes.

STORAGE

This table should be stored indoors.

Product Parts List

Item #	Part #	Description	Qty.
1	4A-6309-00	Half Top	2
2	BZ-412	Sponge Rubber Strip	24
3	2L-6353-00	This Owner' Manual	1
4	725-102	Stiffener	2
5	2S-6133-01	End Rail	2
6	2S-6232-00	Right Side Rail	2
7	2S-6233-00	Left Side Rail	2
8	5A-6471-00	Net & Post Kit	1

LIMITED WARRANTY

For ninety (90) days from the date of purchase, the manufacturer will repair this table tennis table free of charge if defective in material or workmanship. Warranty service is available by simply contacting our Customer Service Department. This warranty gives you specific legal rights and you may also have other rights which vary from state to state.